

REVO 21: (Position for MTK Tower)



WALKER BAY

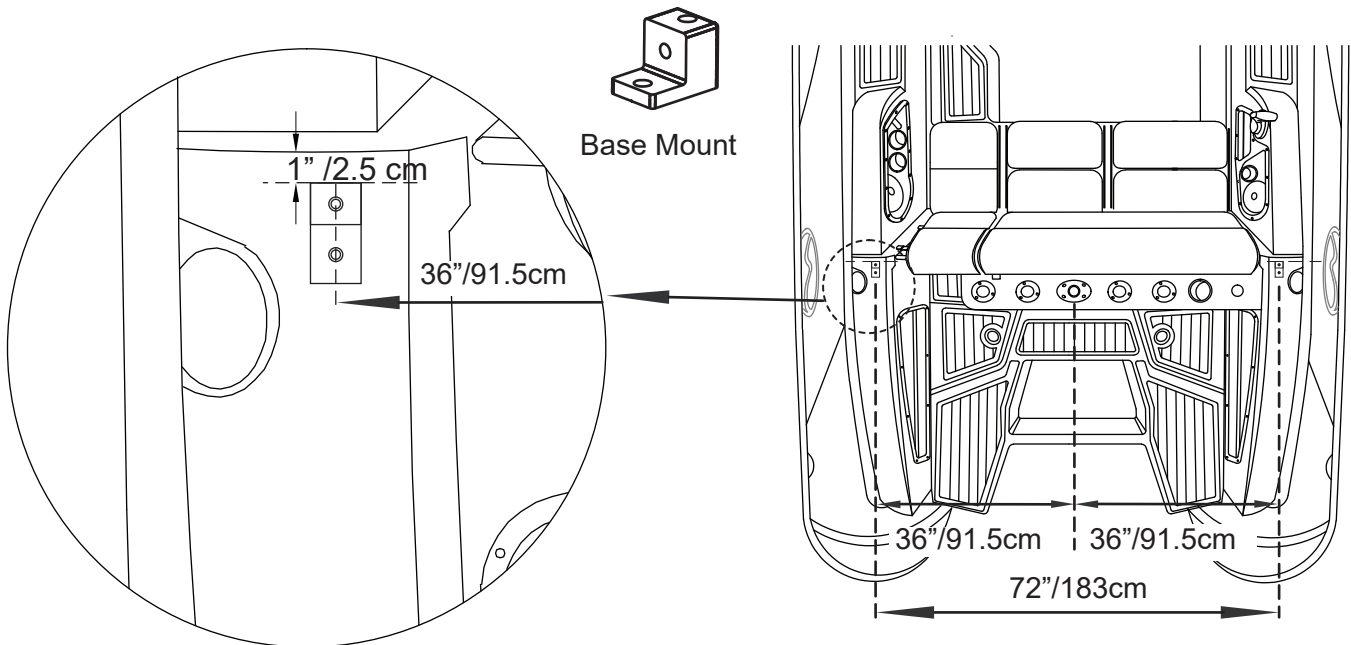
VENDOR	DESCRIPTION
Monster Tower	MT-SOT410 Tower Polar White MT-BIM-MTX-XL MTX Bimini-Black

Important Note: This guide is only intended to show the recommended position of the tower on the deck of the boat and the adjustment of the rear legs to level the tower on the boat.

⚠ WARNING

Read and follow tower manufacturer's warnings for installation, use and maintenance. Failure to do so may result in injury to passengers or damage to the tower or boat.

- ① It is recommended to install the tower folded forward (See forward folding instructions - Option A, in the tower manufacturer's instructions).
- ② The position of the base mounts (front legs) is 1" (2.5cm) to the rear of the front edge of the rear deck shoulders and from the centerline of the deck should be 36" (91.5cm).



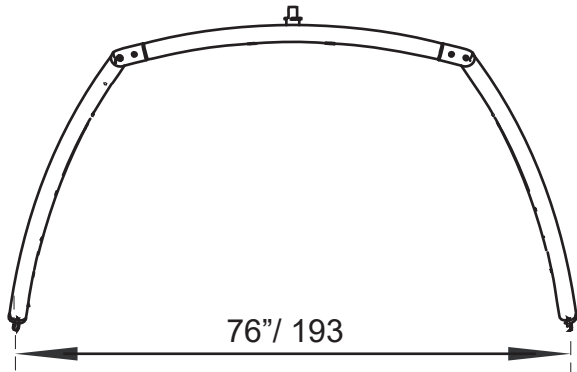
REVO 21: (Position for MTK Tower)



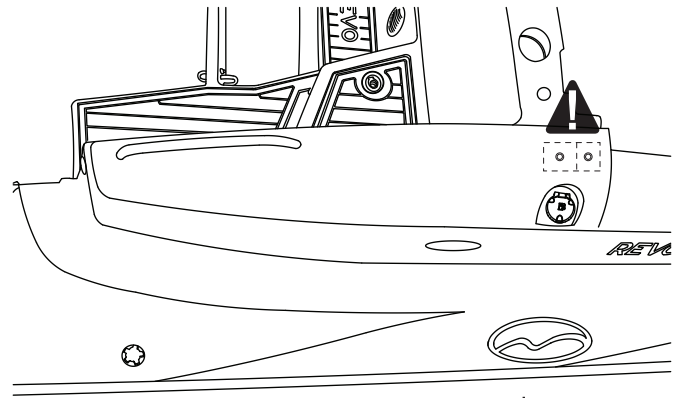
WALKER BAY

- ③ The distance of the base mounts of the front legs (72"/183 cm from center to center) consider the minimum position of adjustment of the legs of the tower which is 76"(193cm).

⚠ Warning: Do not install the base mounts more than 72" (183cm) apart, there is a risk of puncturing the fuel fill line.



The Monster tower has a leg adjustment range of 76" to 102" the distance from base to base.



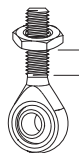
- ④ For the tower to be in the level position, the Heim Joints on the rear legs must be adjusted.

Screw hex jam nut onto Heim Joint a maximum of 7 free threads. Hand tighten the 2 Heim Joints at the base of the rear legs.

Hex Jam Nut



Heim Joint



7 threads

