

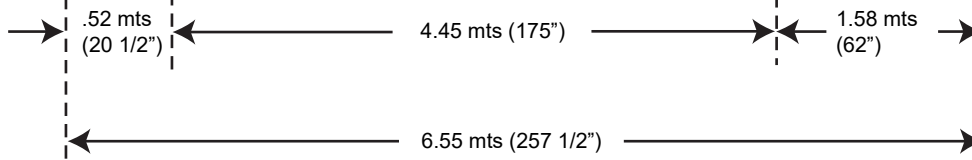
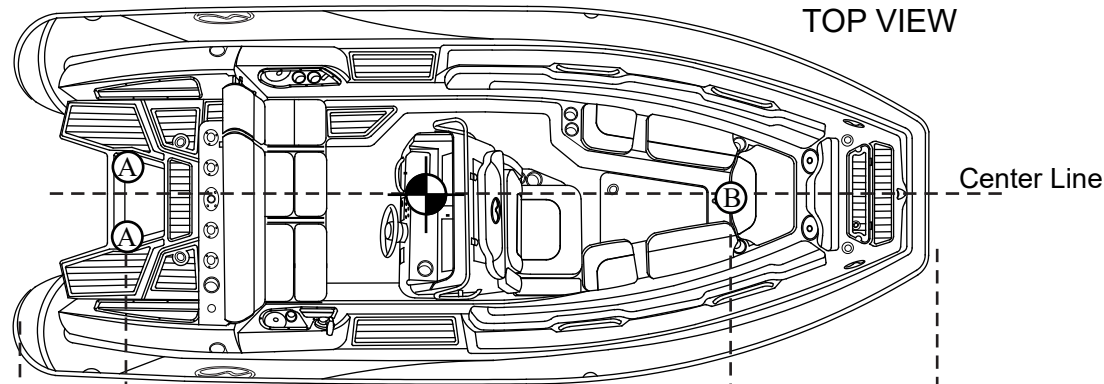
REVO 21

LIFTING POINTS

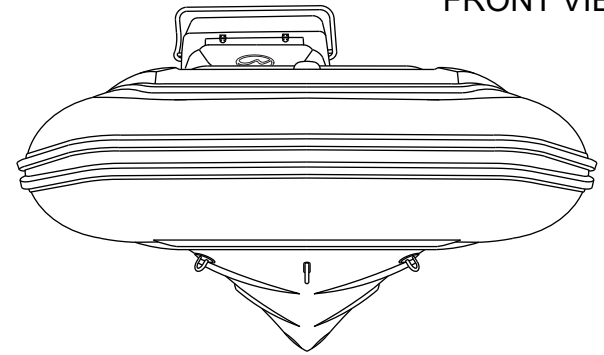


WALKER BAY

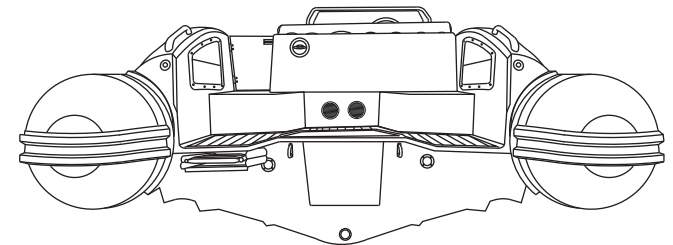
TOP VIEW



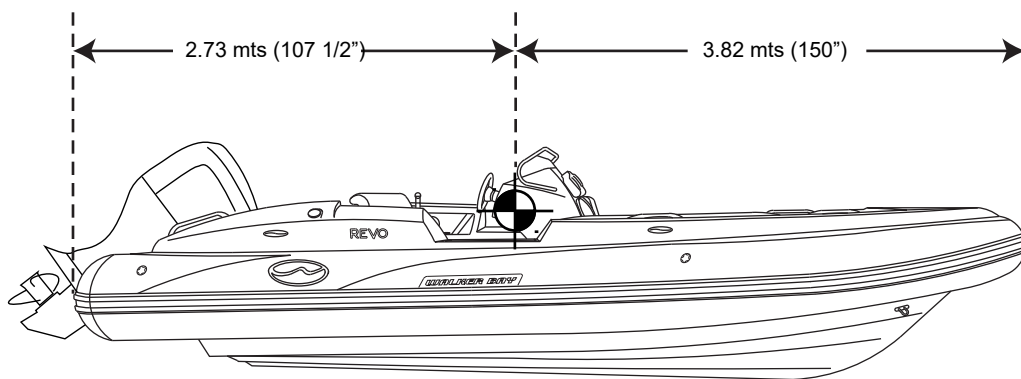
FRONT VIEW



REAR VIEW



SIDE VIEW



CENTER OF BALANCE



Important Note: Center is approximate and will vary depending on weight of motor, quantity of fuel, water, accessories and gear in boat.

Lifting Points **A** **B**

Lifting point options: A+B Only