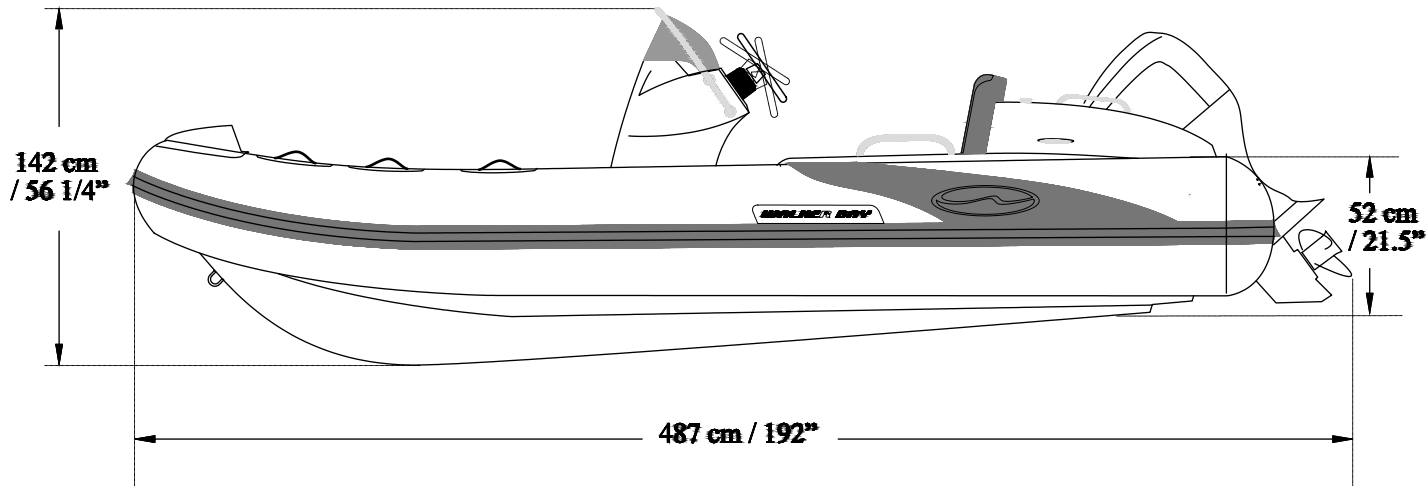


Venture 14 CAD drawings

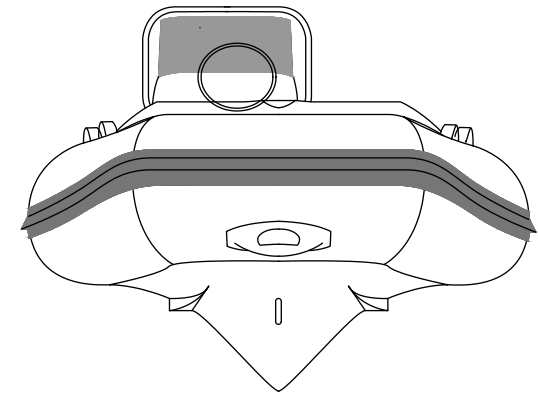


WALRIDER BOAT

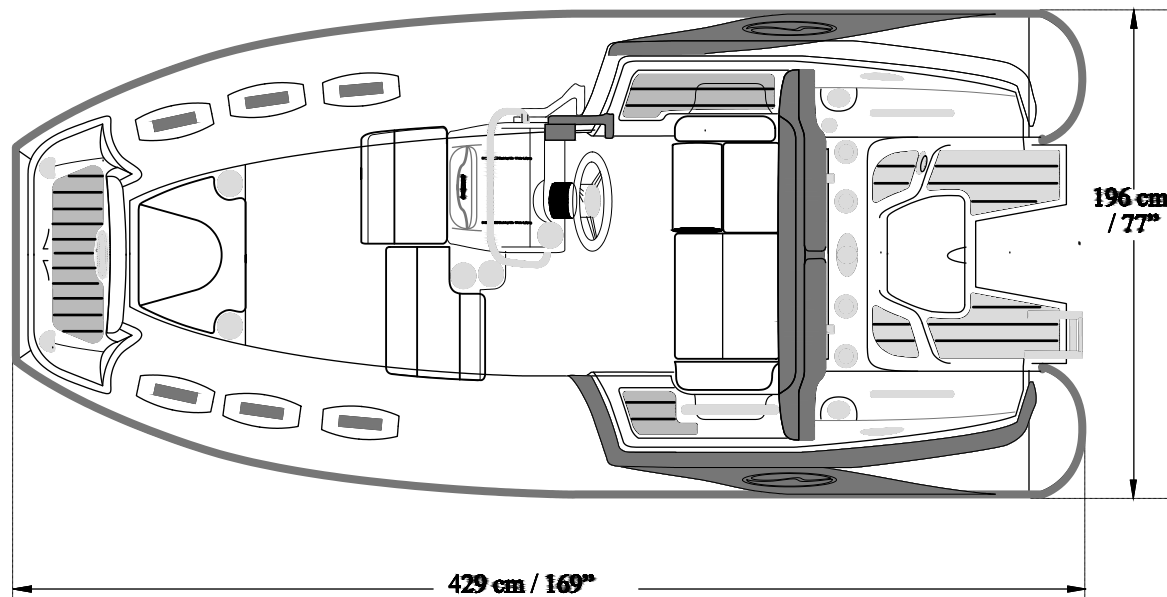
Side View



Front View



Top View



Important Note: These CAD drawings are for exterior dimension reference only. These CAD drawings are not based on 3D models and actual dimensions of interior shapes may vary.