

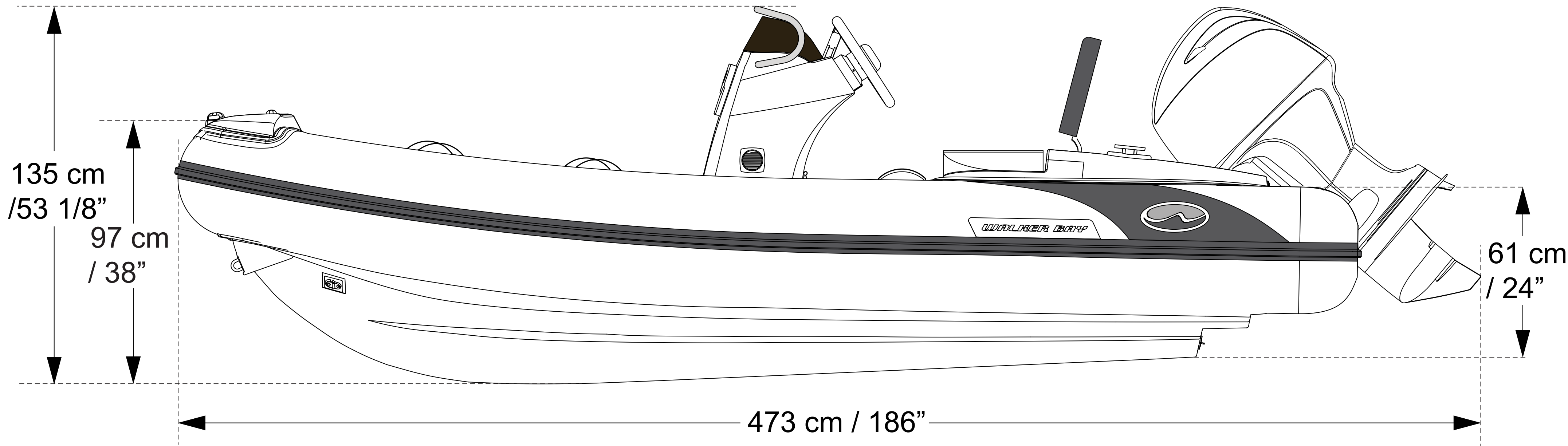
# GENERATION 14LTE

# SPECIFICATIONS & MAXIMUM CAPACITIES

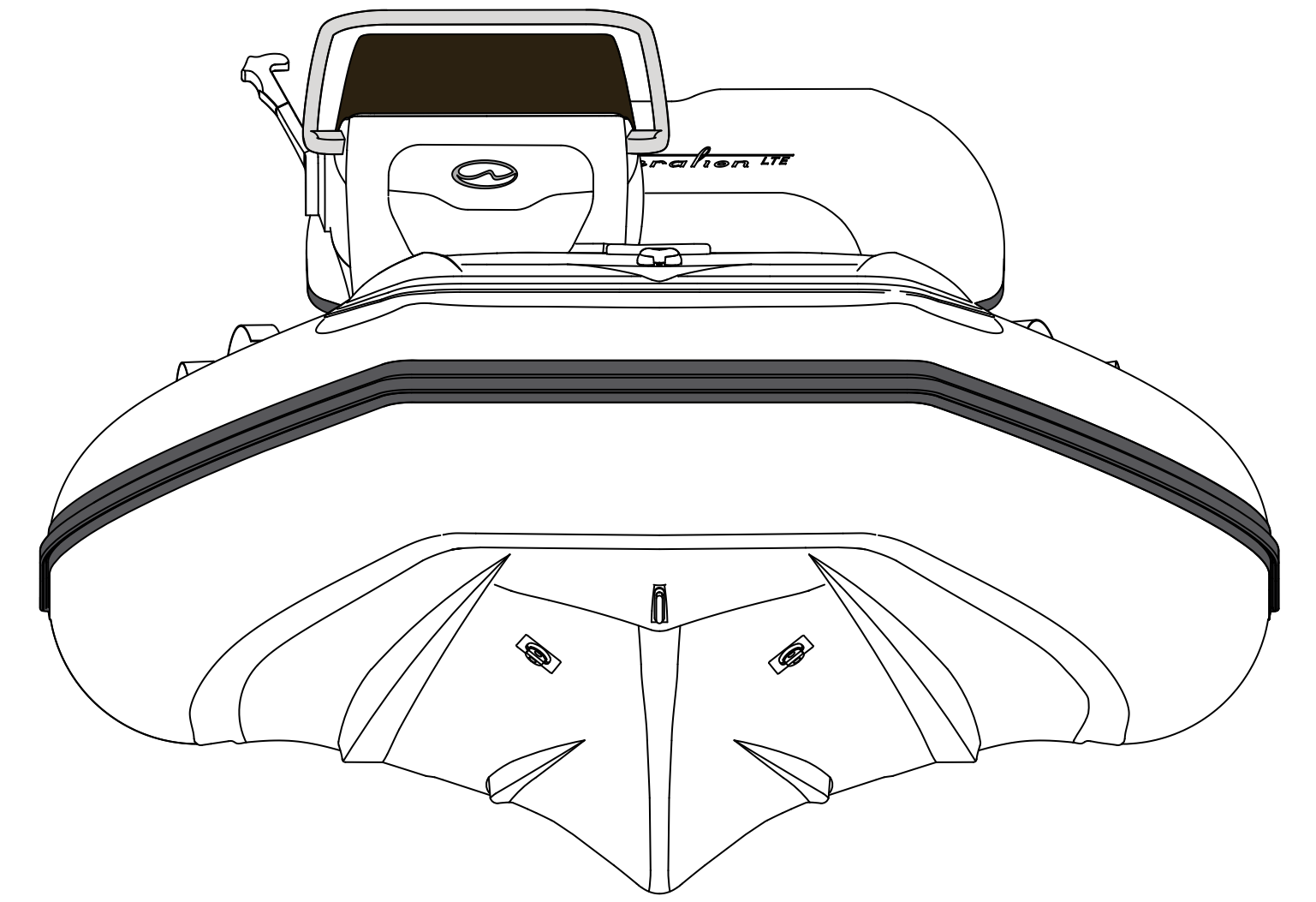


WALKER BAY

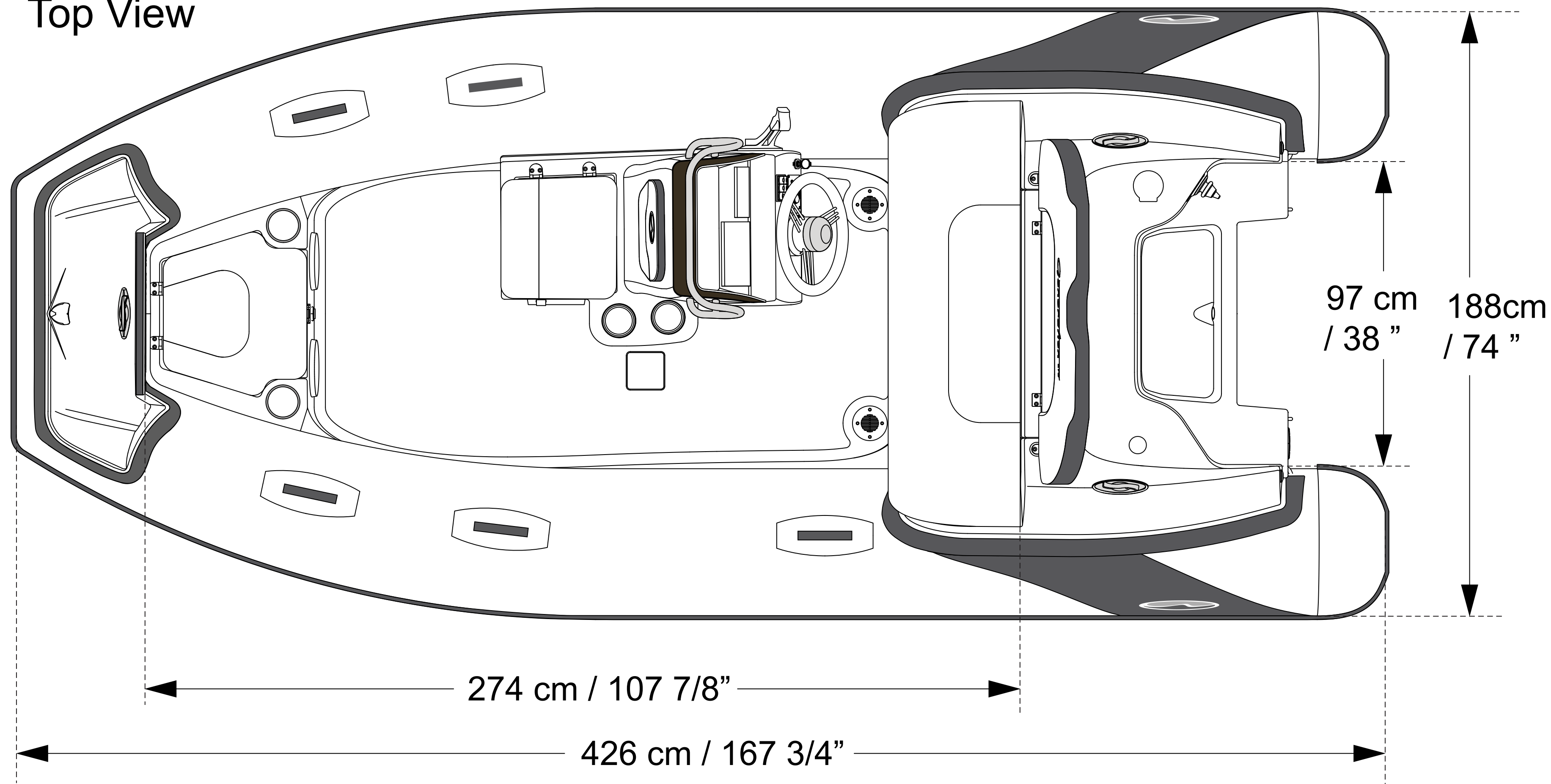
Side View



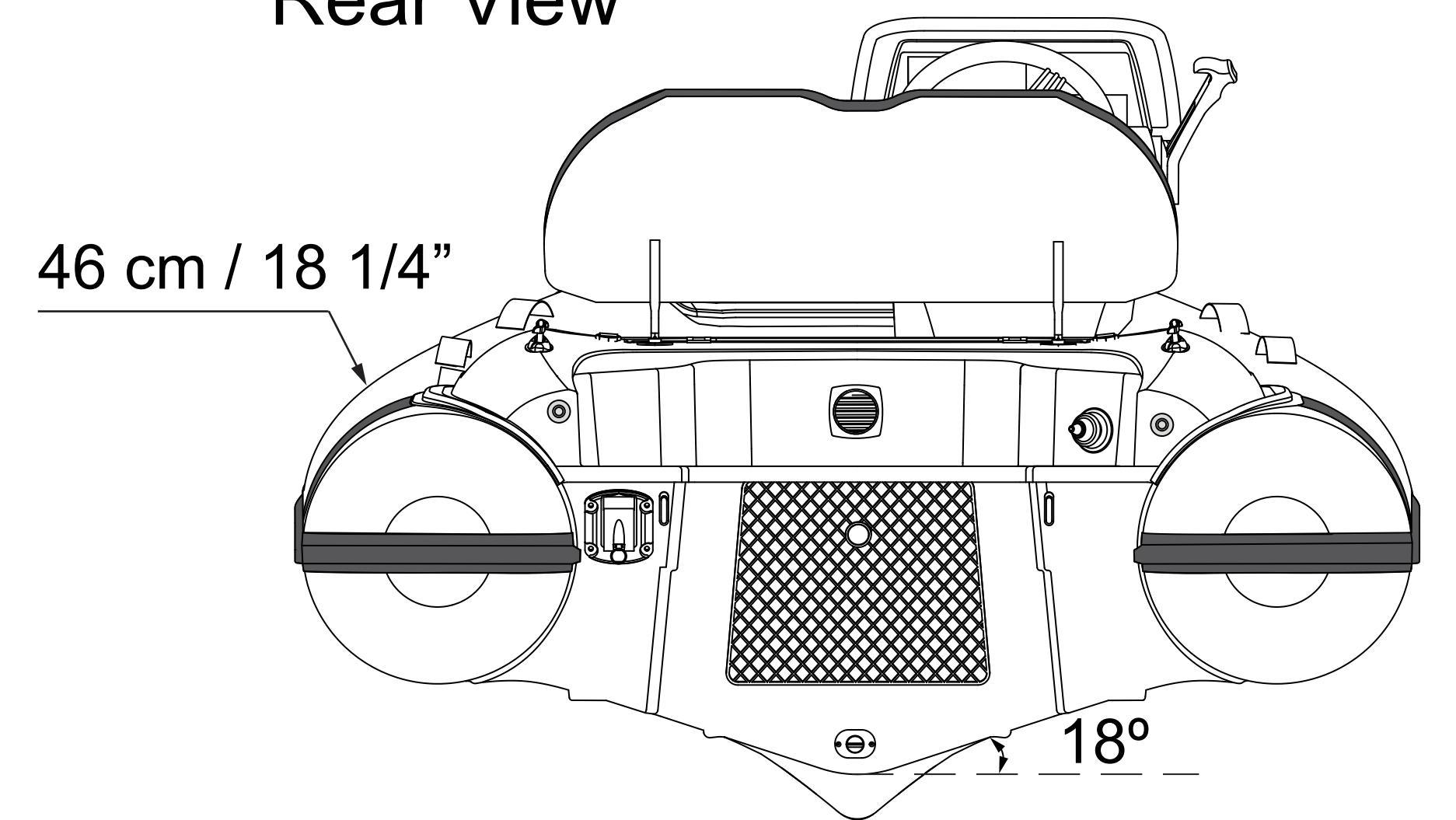
Front View



Top View



Rear View



- \* Basic Wet Weight Includes:
- Pedestal Console Base
- Honda 60 HP
- Full fuel tank 12.6 gal / 47 lts
- Battery
- Rigging

SPECIFICATIONS & MAXIMUM CAPACITIES ( Subject to change without notice. Tolerances: Dimensions +/- 1% Weight +/- 3%)

MODEL	ISO 6185 PART	ISO 6185	 		#	 		Length	 		 			 		 		 		AIR CHAMBERS				
			KG	LB		KG	LB		KG	LB	KW	HP	KW	HP	KT	MPH	KMH	KG	LB		KG	LB	PSI	BAR
GENERATION 14LTE	3	C	856	1887	7	525	1157	L	108	238	45	60	37	50	32	37	60	241	531	415	915	3	3.5	0.24