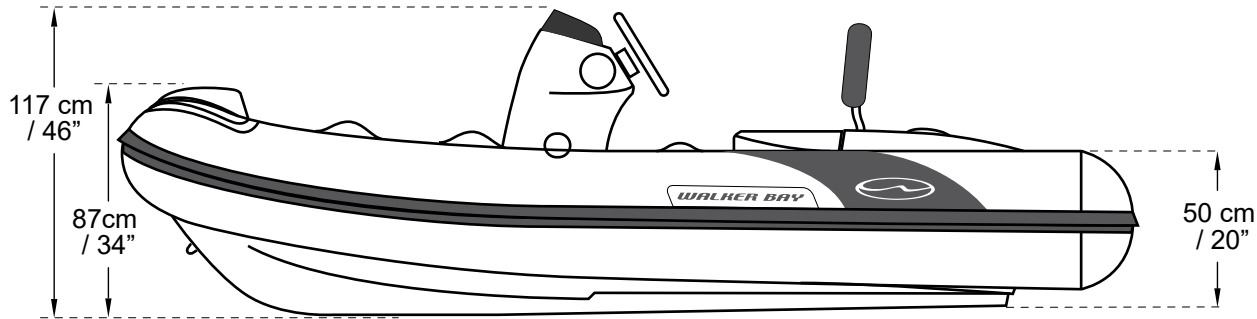


# Generation LTE 12

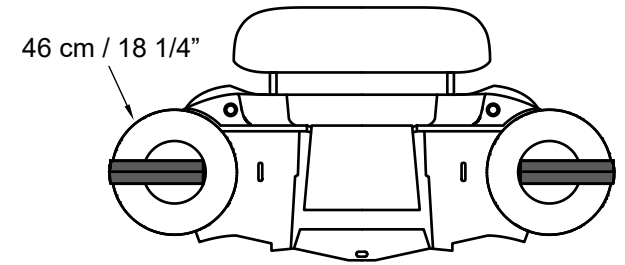
# SPECIFICATIONS & MAXIMUM CAPACITIES



WALKER BAY

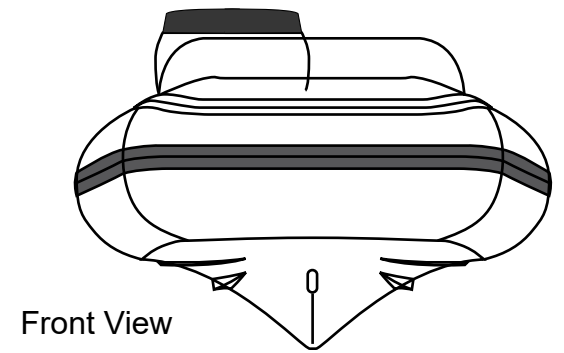
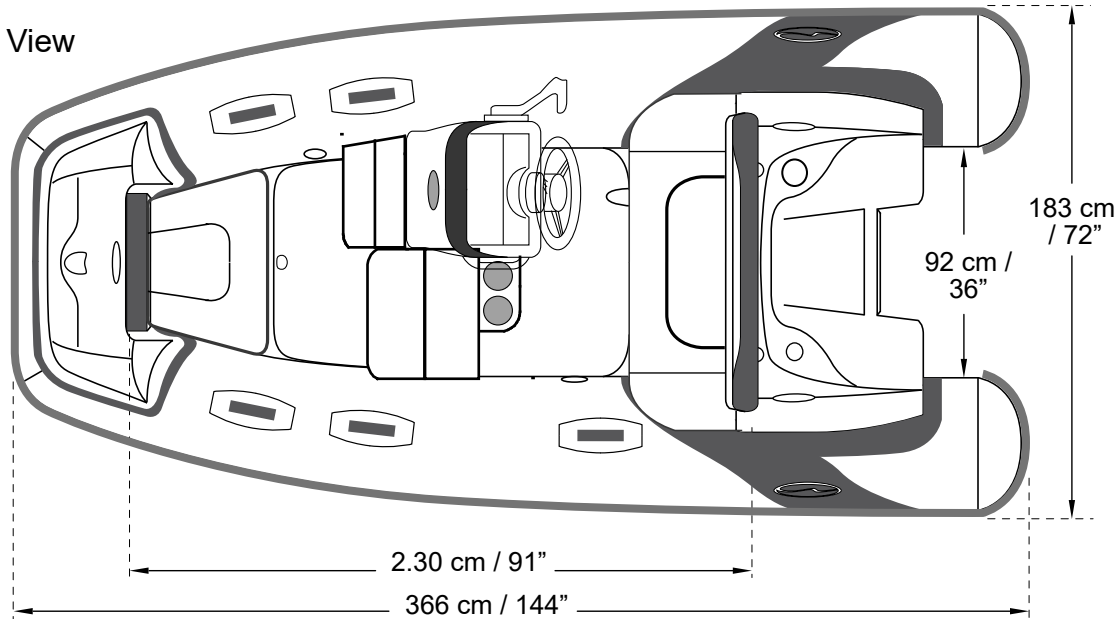


Side View



Rear View

Top View



Front View

SPECIFICATIONS AND MAXIMUM CAPACITIES (Subject to change without notice. Tolerances: Dimensions +/- 3% Weight +/- 5%)

MODEL	ISO 6185 PART	ISO 6185																	Wet Weight (Approximate) 25HP (18.6kW) + Fuel		AIR CHAMBERS			
			KG	LB	#	KG	LB	Length	KG	LB	Maximum		Recommended		Maximum Speed		KG	LB	KG	LB		PSI	BAR	
												KW	HP	KW	HP	KT	MPH	Km/h						
Generation LTE 12	3	C	679	1498	6	450	990	L	99	218	30	40	19	30	32	37	60	176	387	262	577	3	3.5	0.24