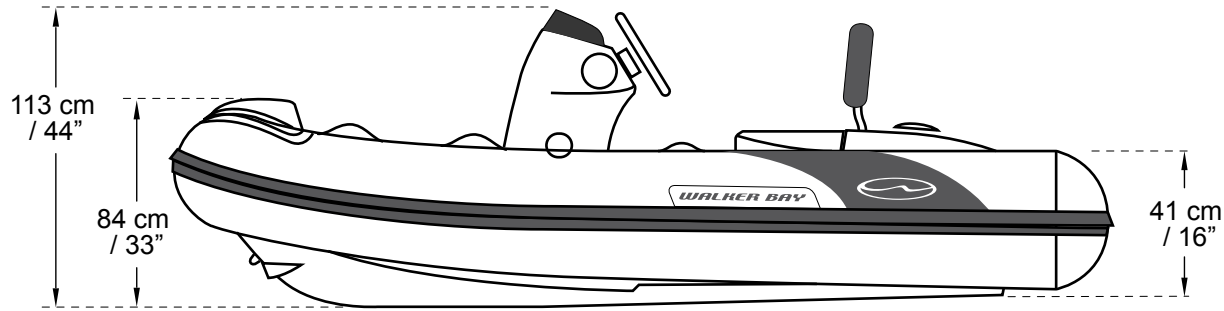


# Generation LTE 10

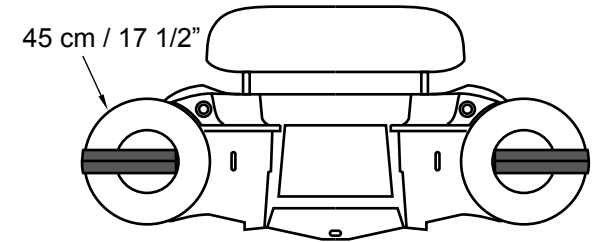
# SPECIFICATIONS & MAXIMUM CAPACITIES



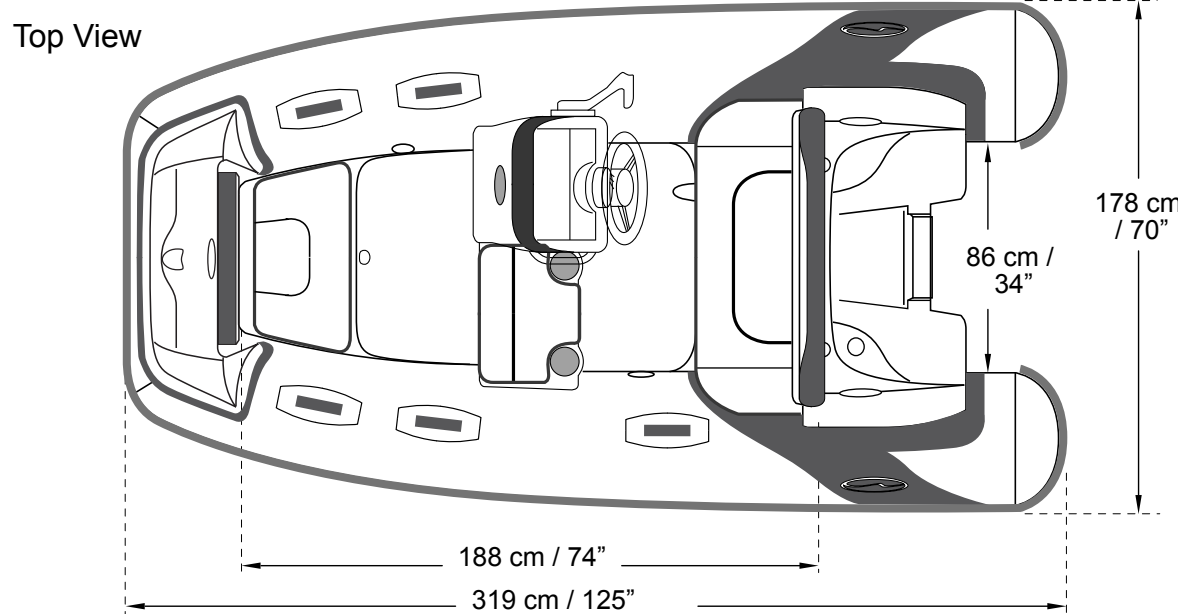
WALKER BAY



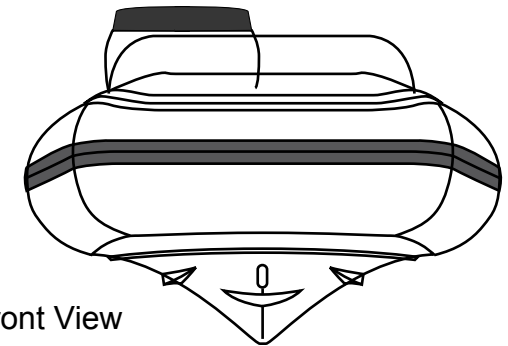
Side View



Rear View



Top View



Front View

SPECIFICATIONS AND MAXIMUM CAPACITIES (Subject to change without notice. Tolerances: Dimensions +/- 3% Weight +/- 5%)

| MODEL             | ISO 6185 PART | ISO 6185 |     |      |   |     |     |        |    |     |         |    |             |    |               |    |     |      |     |     |     |              |     |      |  |  |  |  |
|-------------------|---------------|----------|-----|------|---|-----|-----|--------|----|-----|---------|----|-------------|----|---------------|----|-----|------|-----|-----|-----|--------------|-----|------|--|--|--|--|
|                   |               |          | KG  | LB   | # | KG  | LB  | Length | KG | LB  | Maximum |    | Recommended |    | Maximum Speed |    |     | KG   | LB  | KG  | LB  | AIR CHAMBERS | PSI | BAR  |  |  |  |  |
|                   |               |          |     |      |   |     |     |        |    |     |         | KW | HP          | KW | HP            | KT | MPH | Km/h |     |     |     |              |     |      |  |  |  |  |
| Generation LTE 10 | 3             | C        | 568 | 1250 | 4 | 300 | 660 | S      | 91 | 200 | 22.5    | 30 | 19          | 25 | 27            | 30 | 50  | 140  | 308 | 227 | 500 | 3            | 3.5 | 0.24 |  |  |  |  |