

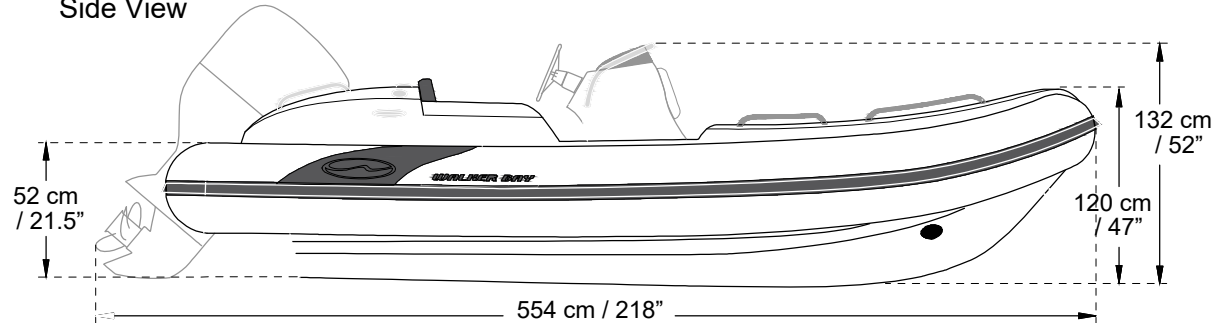
Generation 525

SPECIFICATIONS & MAXIMUM CAPACITIES

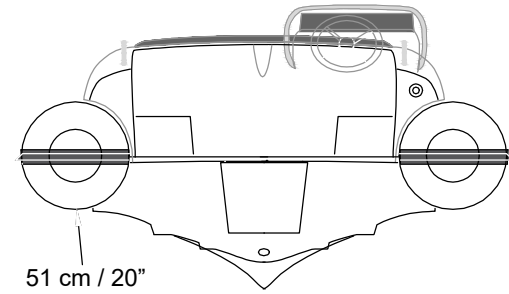


WALKER BAY

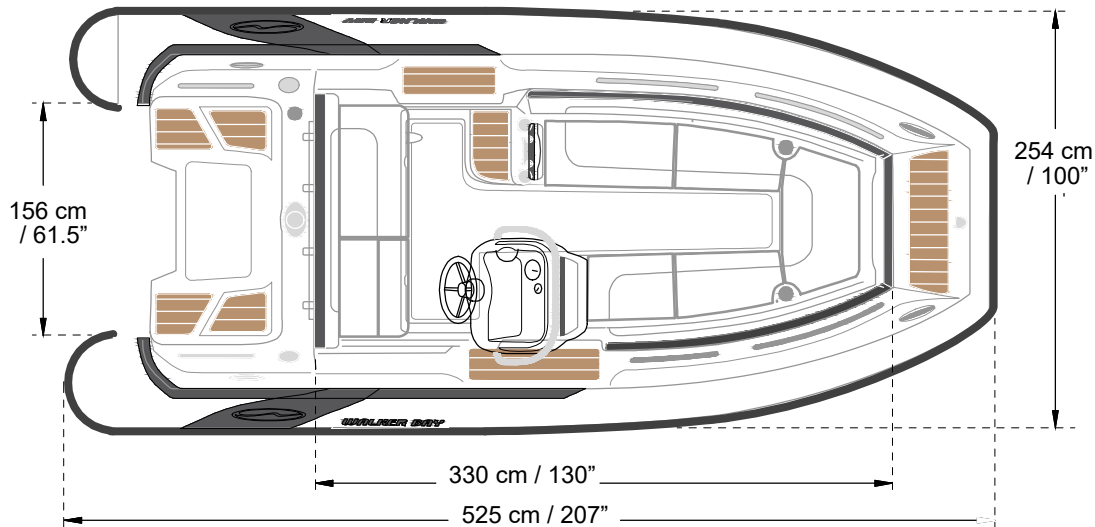
Side View



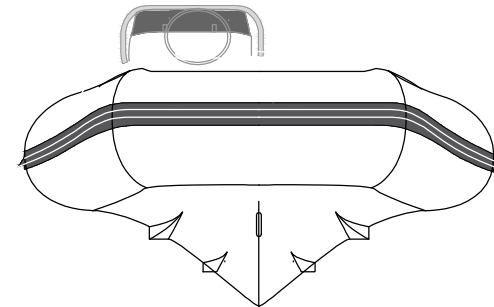
Rear View



Top View



Front View



SPECIFICATIONS AND MAXIMUM CAPACITIES (Subject to change without notice. Tolerances: Dimensions +/- 3% Weight +/- 5%).

MODEL	ISO 6185 PART	ISO 6185	 #		 KG LB		Length	 KG LB		 Maximum Recommended		Maximum Speed			 Wet Weight (Approximate)		 115HP (86kW) + Fuel	AIR CHAMBERS	 PSI BAR					
			KG	LB	KG	LB		KG	LB	KW	HP	KW	HP	KT	MPH	Km/h			KG	LB	KG	LB		
GENERATION 340	4	C	1250	2750	10	750	1650	L	227	500	86	115	68	90	40	44	70	527	1160	977	2150	5	3.5	0.24

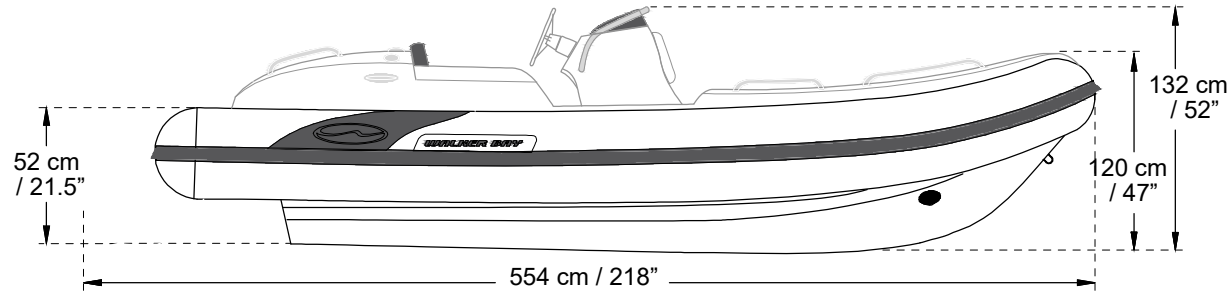
Generation 525

LIFTING POINTS

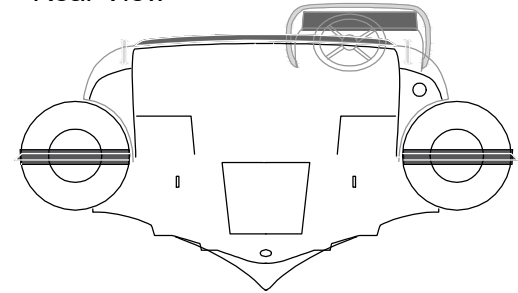


WALKER BAY

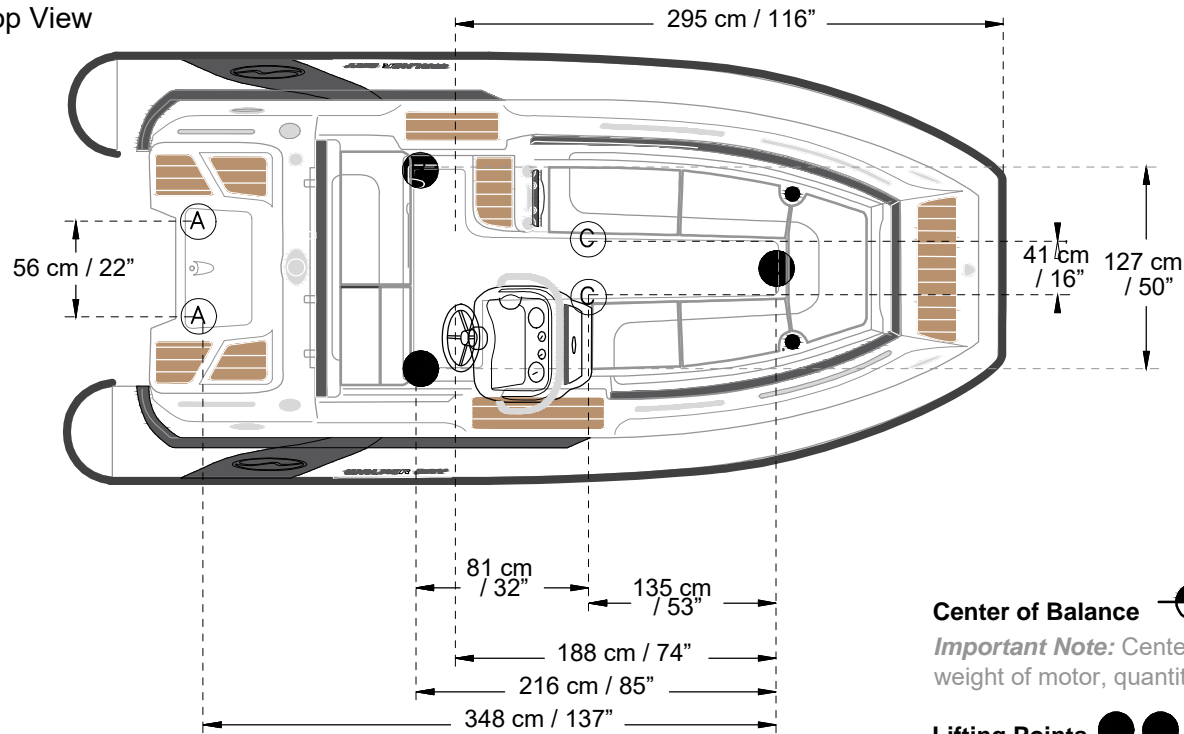
Side View



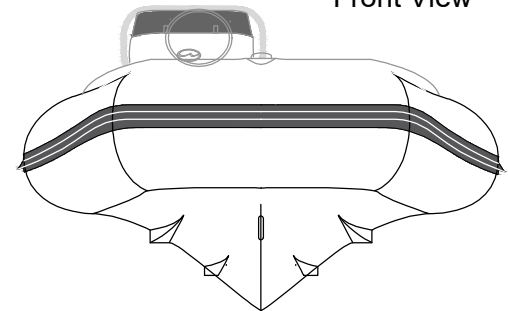
Rear View



Top View



Front View



Center of Balance



Important Note: Center is approximate and will vary depending on weight of motor, quantity of fuel, water, accessories and gear in boat.

Lifting Points ● ● ● ●

Lifting point options: A+D, A+C or B+C
 For lowest lifting point use lifting points: B+C
 Do not attempt to lift with C+D or B+D.