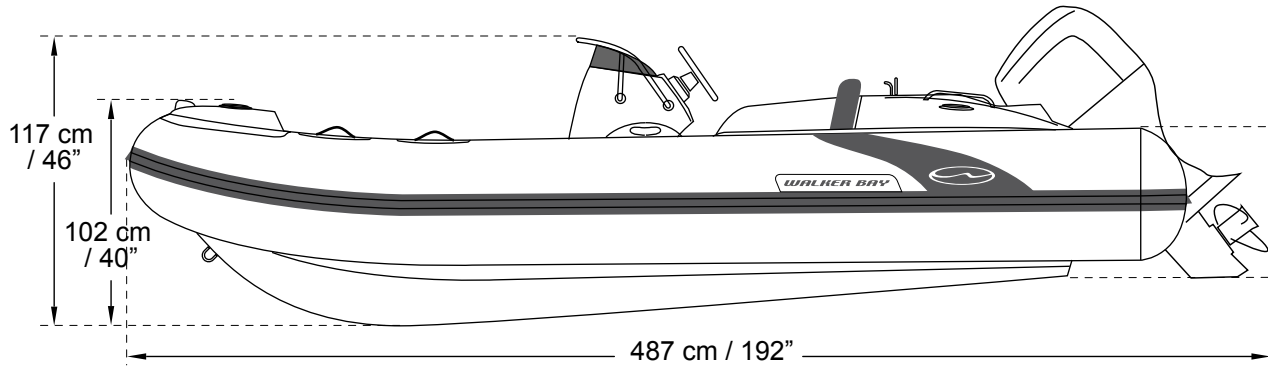


# Generation 450

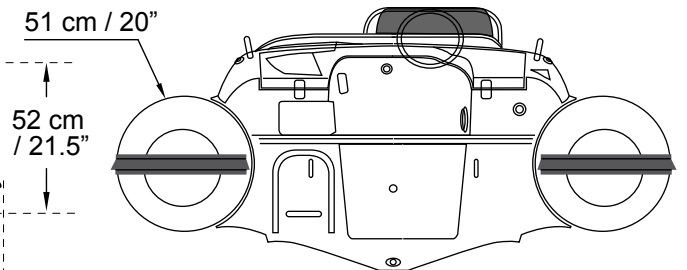
# SPECIFICATIONS & MAXIMUM CAPACITIES



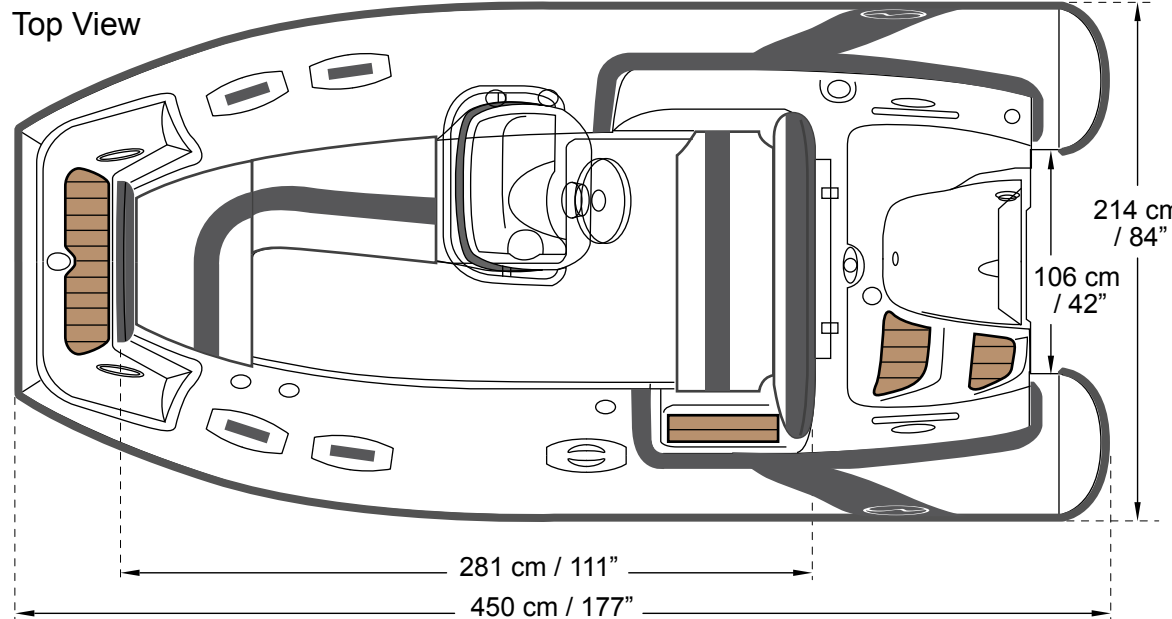
WALKER BAY



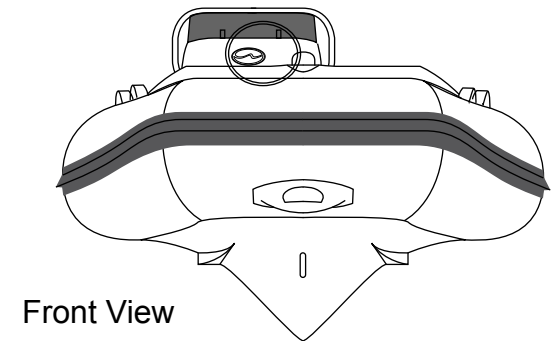
Side View



Rear View



Top View



Front View

SPECIFICATIONS AND MAXIMUM CAPACITIES (Subject to change without notice. Tolerances: Dimensions +/- 3% Weight +/- 5%)

MODEL	ISO 6185 PART	ISO 6185			#			Length													Wet Weight (Approximate) 60HP / 75HP 45kW / 56kW + Fuel		AIR CHAMBERS		
			KG	LB		KG	LB		KG	LB	Maximum	Recommended	Maximum Speed			KG	LB	KG	LB	PSI	BAR				
									KW	HP	KW	HP	KT	MPH	Km/h										
Generation 450	3	C	866	1910	8	600	1200	L	175	386	56	75	45	60	30	34	55	287	633	523 / 491	1150 / 1080	5	3.5	0.24	