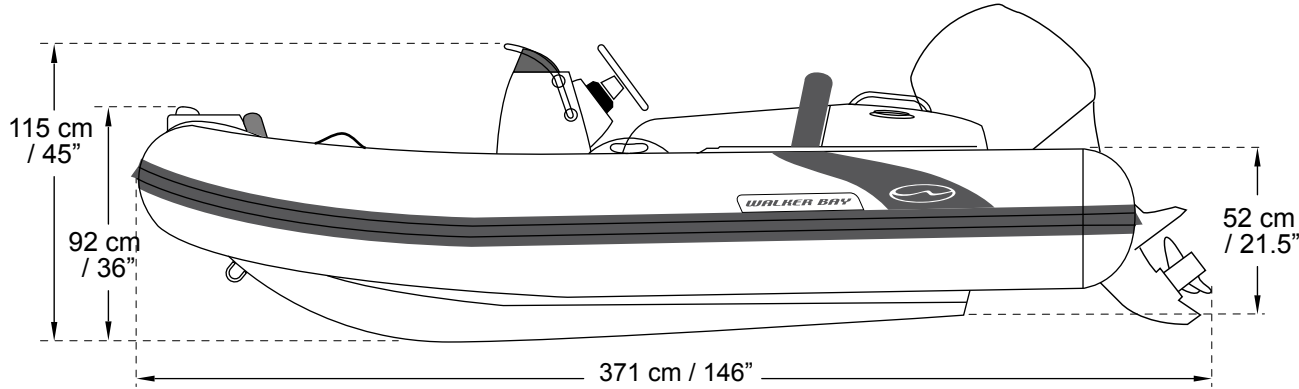


Generation 340

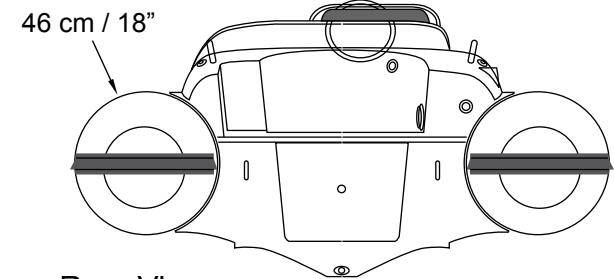
SPECIFICATIONS & MAXIMUM CAPACITIES



WALKER BAY

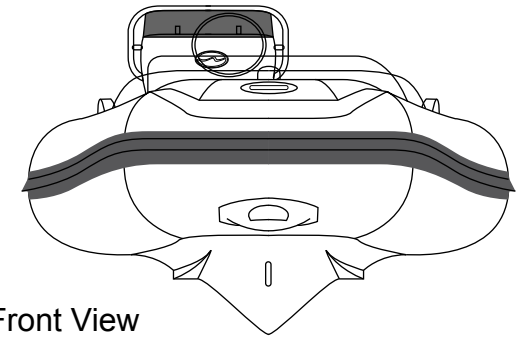
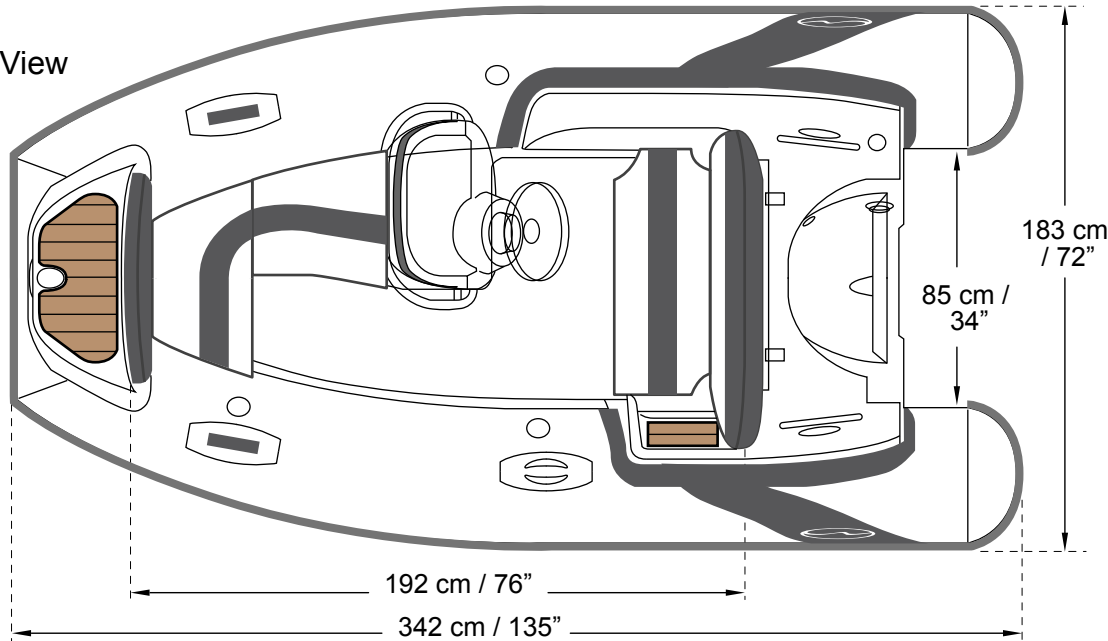


Side View



Rear View

Top View



Front View

SPECIFICATIONS AND MAXIMUM CAPACITIES (Subject to change without notice. Tolerances: Dimensions +/- 3% Weight +/- 5%)

MODEL	ISO 6185 PART	ISO 6185			#			Length											Wet Weight (Approximate) 40HP (30kW) + Fuel		AIR CHAMBERS			
			KG	LB		KG	LB		KG	LB	Maximum	Recommended	Maximum Speed			KG	LB	KG	LB	PSI		BAR		
											KW	HP	KW	HP	KT	MPH	Km/h							
Generation 340	3	C	599	1317	5	375	825	L	99	252	30	40	30	40	30	34	55	210	465	347	763	3	3.5	0.24