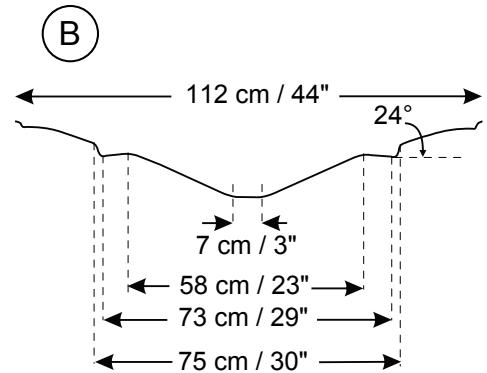
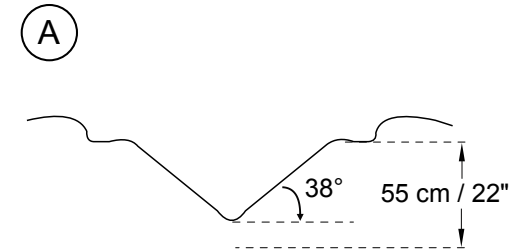
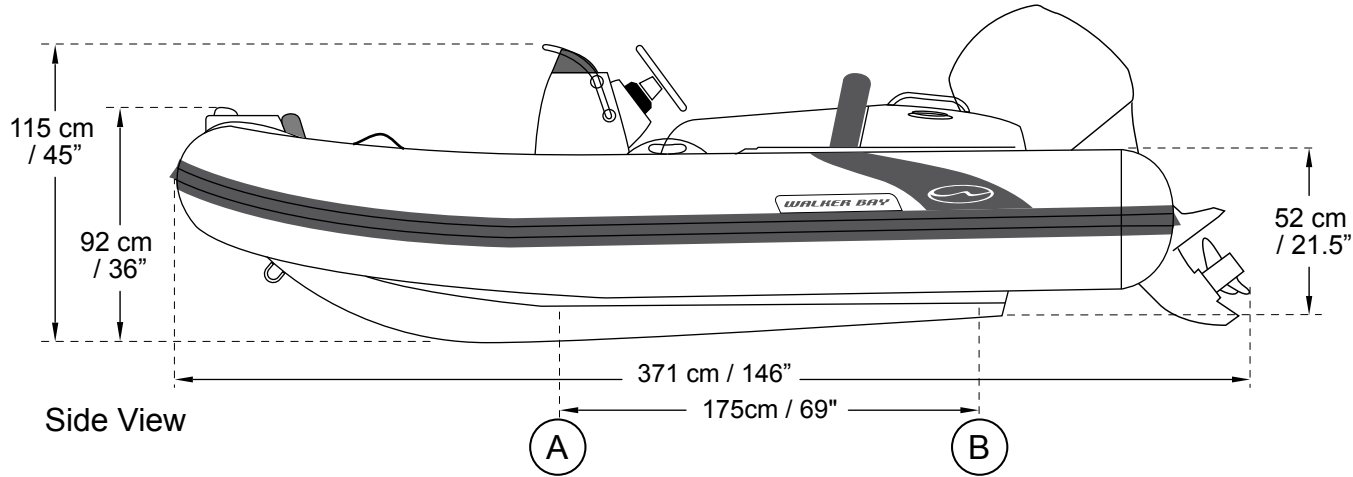


Generation 340

LIFTING POINTS & CHOCKS



WALKER BAY



Area Reinforced for Additional Lifting Point*.
*On 2017 Models only.
Requires installation of Lifting Eye by Dealer.

Distance Between Lifting Points

Top View

