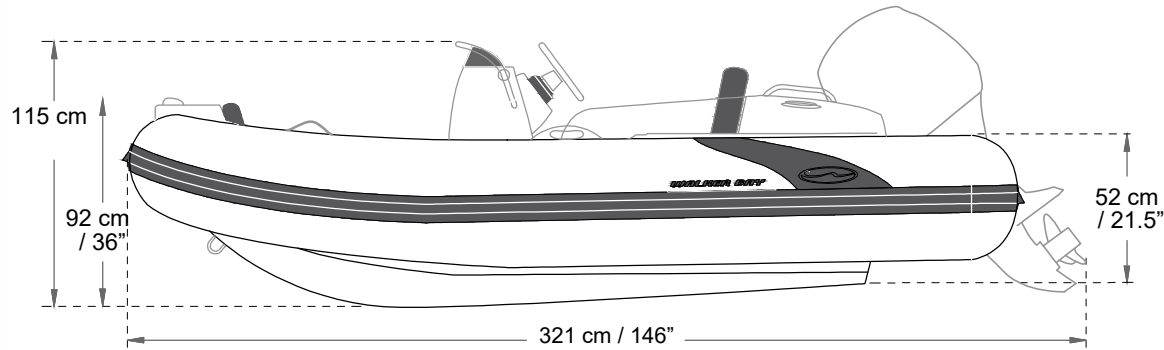
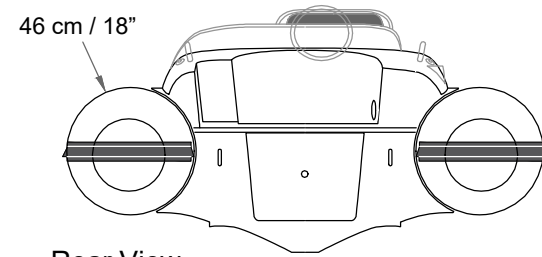


Generation 340

SPECIFICATIONS & MAXIMUM CAPACITIES

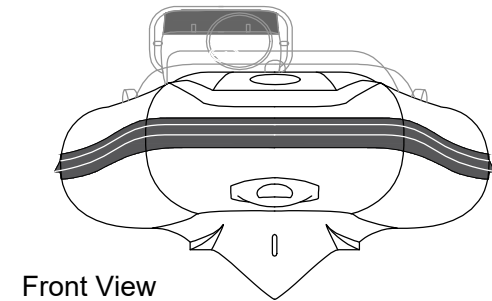
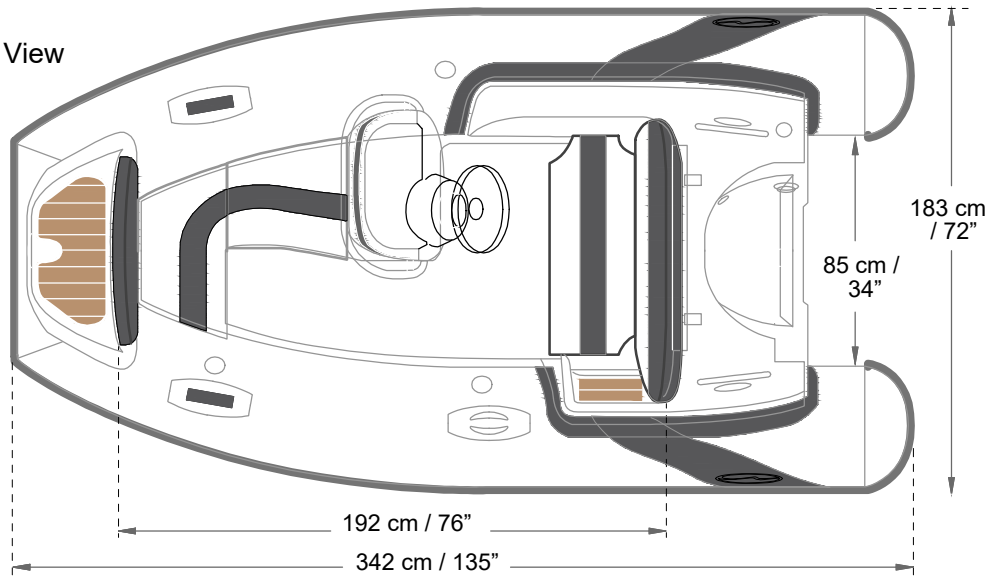


Side View



Rear View

Top View



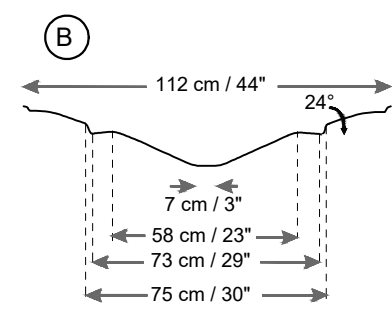
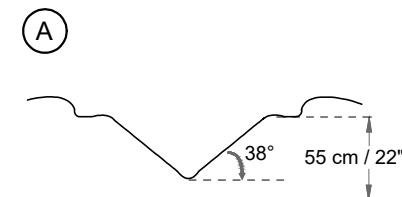
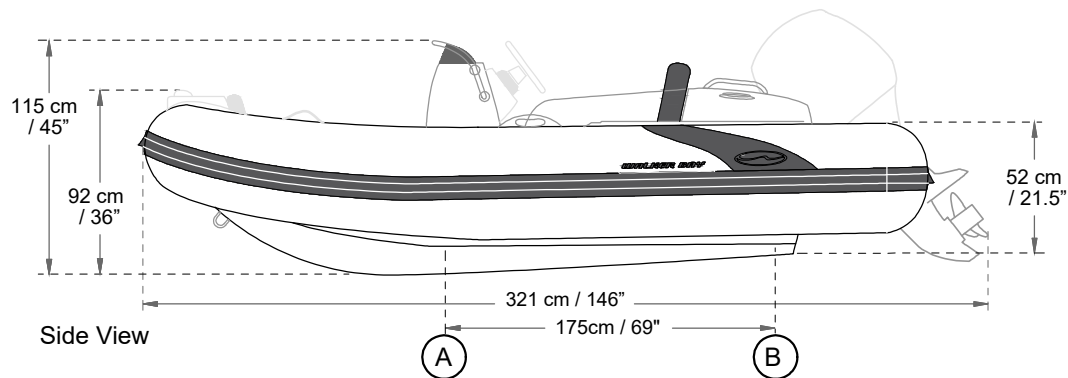
Front View

SPECIFICATIONS AND MAXIMUM CAPACITIES (Subject to change without notice. Tolerances: Dimensions +/- 3% Weight +/- 5%)

MODEL	ISO 6185 PART	ISO 6185			#			Length	KG	LB	 Maximum Speed						 Wet Weight (Approximate)		AIR CHAMBERS					
			KG	LB		KG	LB				Maximum			Recommended			40HP (30kW) + Fuel			PSI	BAR			
											KW	HP	KW	HP	KT	MPH	Km/h	KG				LB		
GENERATION 340	3	C	599	1317	5	375	825	L	99	252	30	40	30	40	30	34	55	210	465	347	763	3	3.5	0.24

Generation 340

LIFTING POINTS & CHOCKS

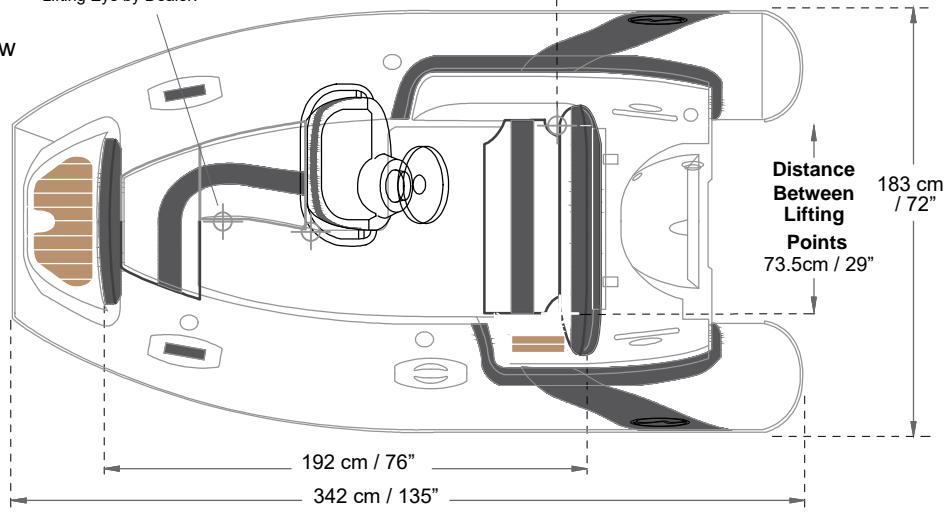


Area Reinforced for Additional Lifting Point*.
*On 2017 Models only.
Requires installation of Lifting Eye by Dealer.

Distance Between Lifting Points

89 cm / 35"

Top View



Information subject to change without notice. Tolerances +/- 3%