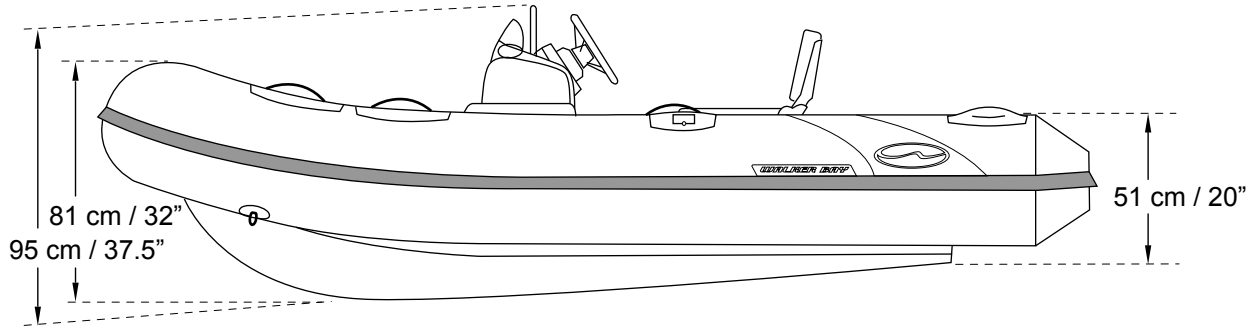


Odyssey 325ST/STX Console

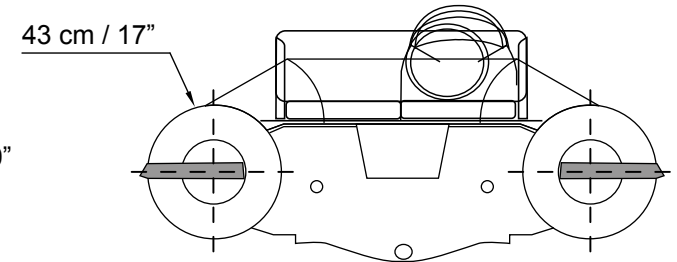
SPECIFICATIONS & MAXIMUM CAPACITIES



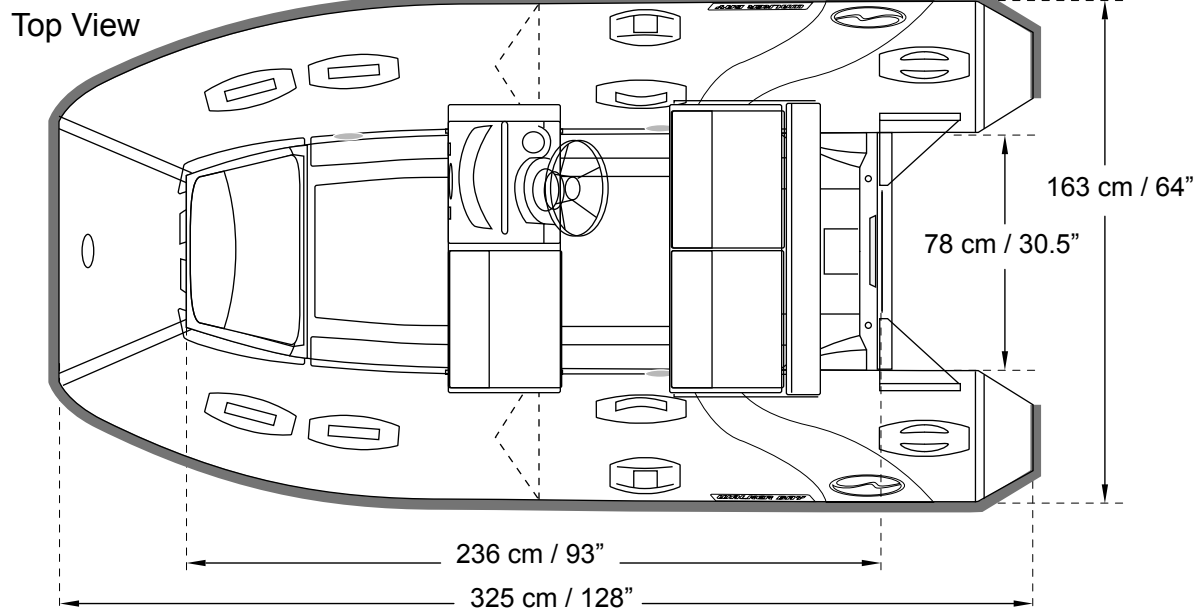
WALKER BAY



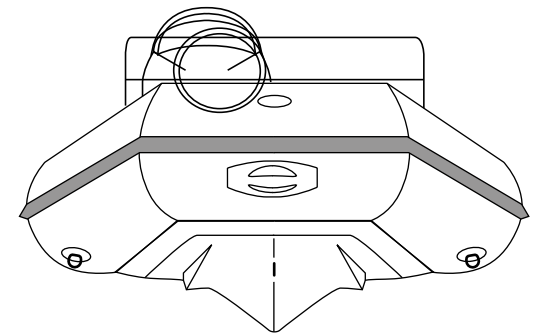
Side View



Rear View



Top View



Front View

SPECIFICATIONS AND MAXIMUM CAPACITIES (Subject to change without notice)

Tolerances: Dimensions +/- 3% Weight +/- 5%

MODEL	ISO 6185 PART	ISO 6185			#																																	
			KG	LB		KG	LB	Length	KW	HP	KG	LB	KT	KG	LB	A	B	C	D	E	a	b	PSI	BAR	X	Y	Z											
																	IN	MM	IN	MM	IN	MM	IN	MM	IN	MM	IN	MM	IN	MM								
325STX C	3	C	777	1709	5	391	860	S	22.4	30	80	175	25	213	469	128	3.25	64	1.63	37.5	95	118	259	17	43	93	2.36	30.5	78	3	3.5	0.25	8'6"	2.59	3'3"	101	3'2"	95
325ST C	3	C	777	1709	5	391	860	S	22.4	30	80	175	25	204	449	128	3.25	64	1.63	37.5	95	111	244	17	43	93	2.36	30.5	78	3	3.5	0.25	8'6"	2.59	3'3"	101	3'2"	95