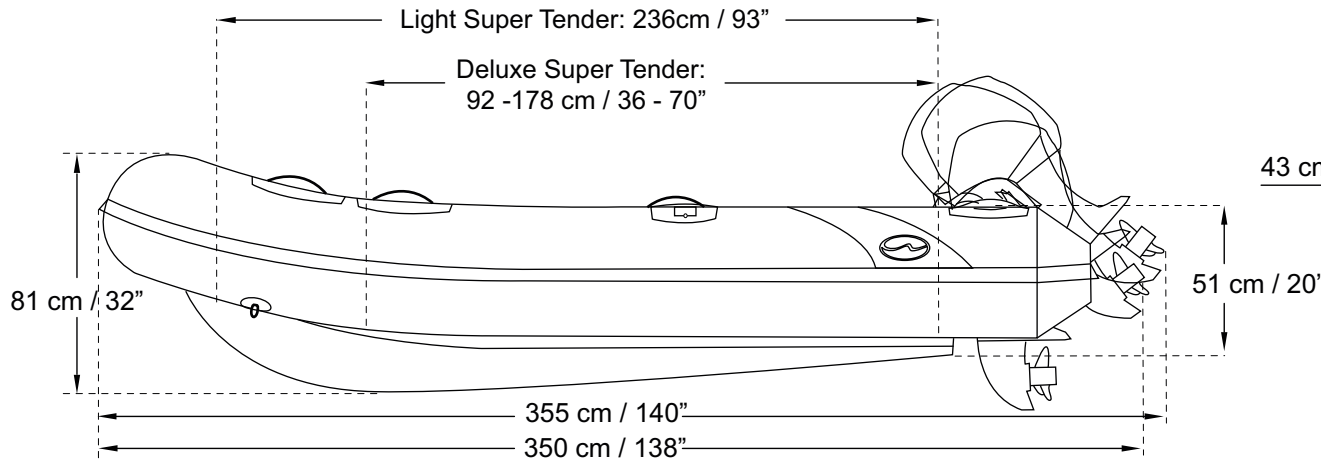
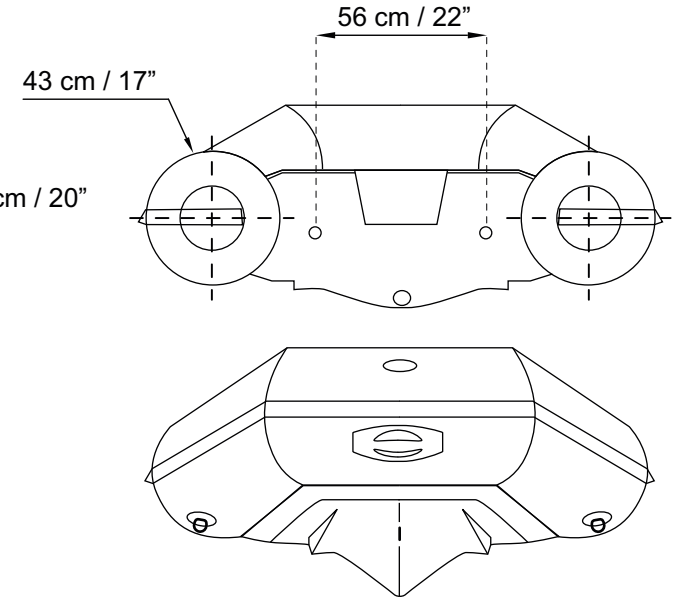




Distance Between Lifting Points

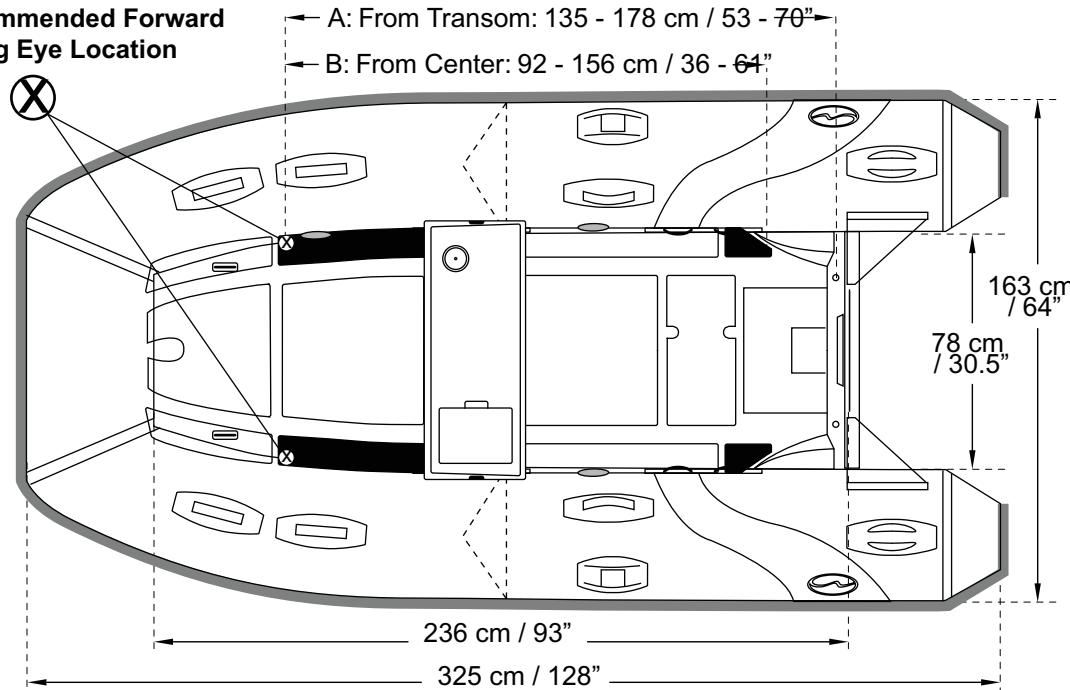


Distance Between Transom Lifting Eyes



Reinforced Lifting Point Range

Recommended Forward Lifting Eye Location



Lifting Points Installation

Reinforced Lifting Point Areas

Reinforced lifting point areas provide a range between lifting points so they can be aligned with davit lifting arms. They can also be used to center the tender with stern of the mother vessel.

Recommended Forward Lifting Eye Location

We recommend installing forward lifting eyes in the furthest forward and outer area of the parts of the hull that are reinforced for lifting eye installation. This ensures the lifting eyes are clear of feet and gear.

