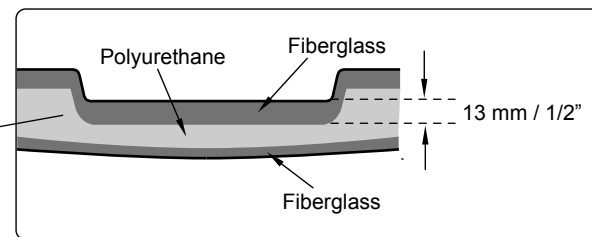
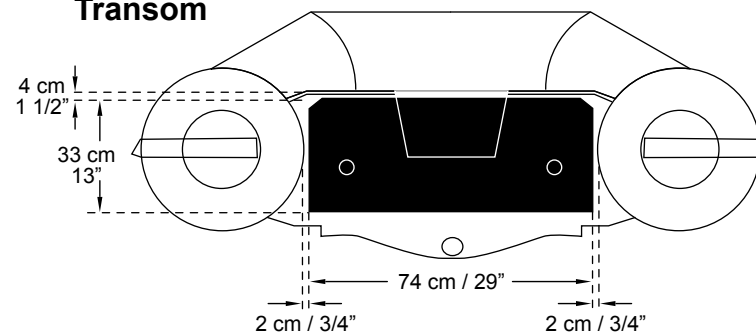


**Bilge Pump Well**



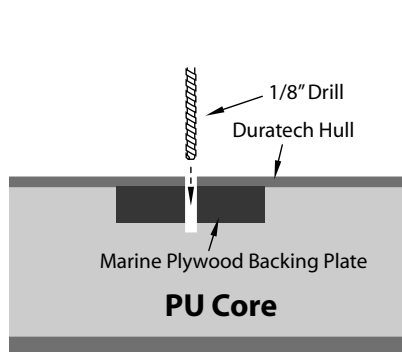
**Transom**



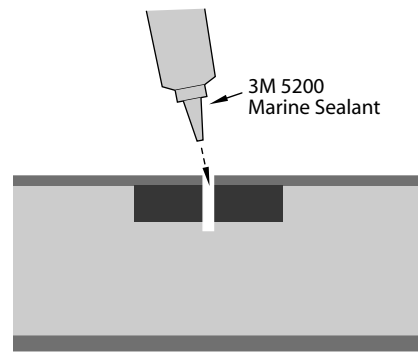
**Anchor Points for Console Installation.**

Areas reinforced with marine plywood for anchoring Deluxe Console kit.

- 1 Drill through reinforced area of Duratech hull with 1/8" drill bit.



- 2 Fill hole with 3M 5200 Marine Sealant.



- 3 Fasten base of Console Storage Compartment using fasteners included with Console Kit. (4 x 3/4" x #12 SS Phillips screw and 4 x SS washer)

