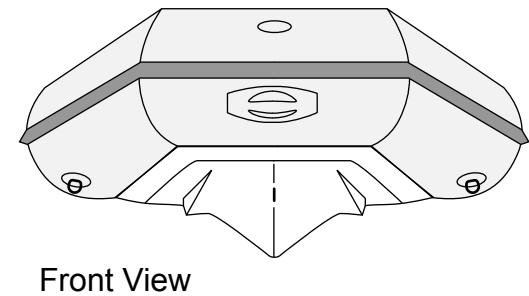
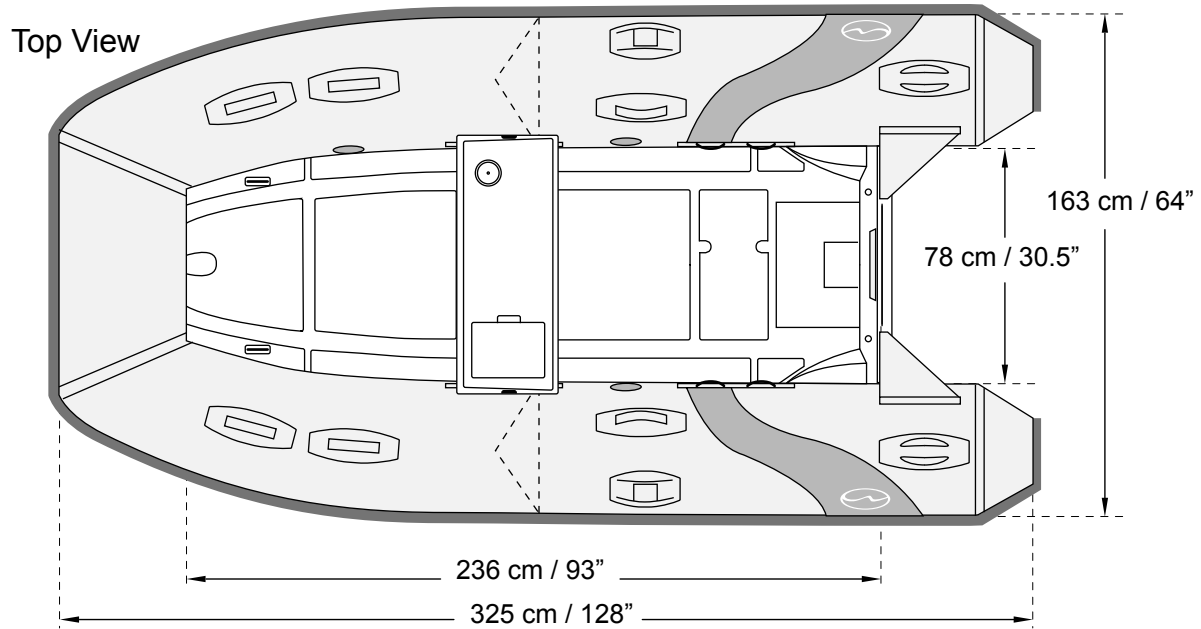
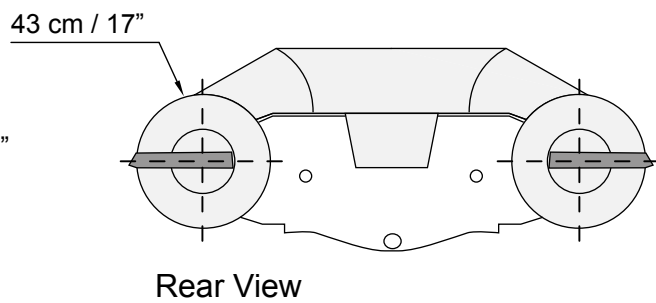
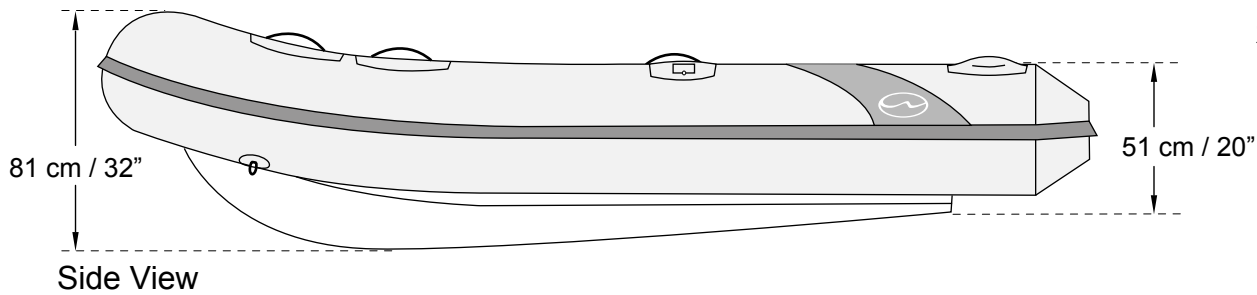


Odyssey 325ST

SPECIFICATIONS & MAXIMUM CAPACITIES



SPECIFICATIONS AND MAXIMUM CAPACITIES (Subject to change without notice)

Tolerances: Dimensions +/- 3% Weight +/- 5%

MODEL	ISO 6185 PART	ISO 6185			#			Length	KW	HP			KT			C				AIR CHAMBERS	PSI	BAR																
			KG	LB		KG	LB				KG	LB		A	B		D	E	a				b	X	Y	Z												
														N	M		N	M	N				M	N	M	CM	IN	CM	IN	CM	IN	FT	M	FT	CM	IN	CM	
325ST	3	C	857	1886	5	391	860	S	18.6	25	80	175	25	125	275	128	3.25	64	1.63	32	81	76	166	17	43	93	2.36	30.5	78	3	3.5	0.25	8'6"	2.59	3'3"	101	1'4"	41