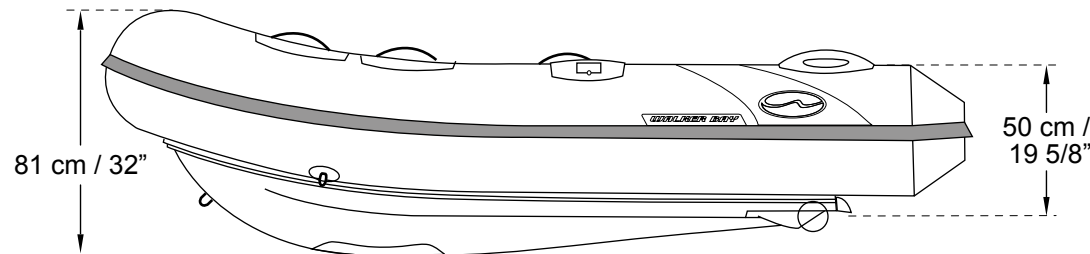
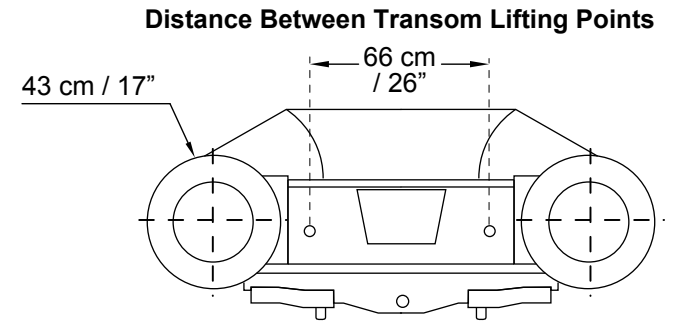


# Genesis 270 LX

# SPECIFICATIONS & MAXIMUM CAPACITIES

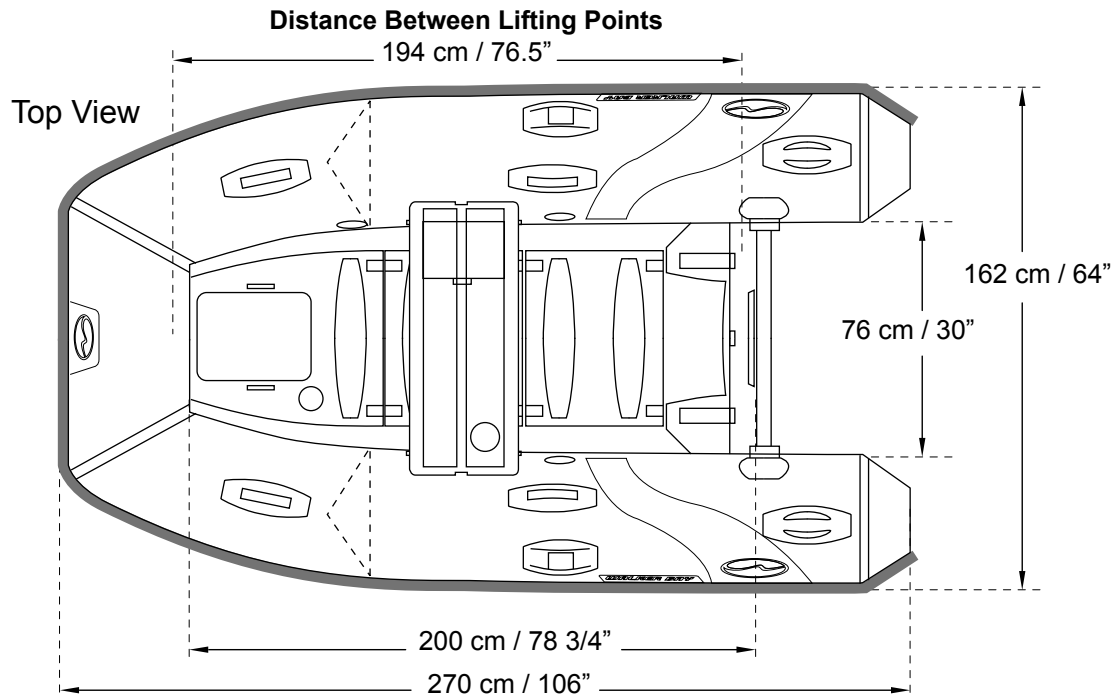


Side View

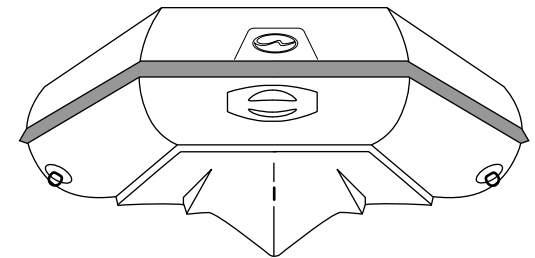


Distance Between Transom Lifting Points

Rear View



Top View



Front View

## SPECIFICATIONS AND MAXIMUM CAPACITIES (Subject to change without notice)

Tolerances: Dimensions +/- 3% Weight +/- 5%

MODEL	ISO 6185 PART	ISO 6185	 KG    LB		#	 KG    LB		Length	KW	HP	 KG    LB		 A    B    C    D    E					 a    b				AIR CHAMBERS	 PSI    BAR		 X    Y    Z													
			KG	LB		KG	LB				KG	LB	N	M	N	M	N	M	N	M	N		M	FT	M	FT	M	FT	CM									
			CM	IN		CM	IN				CM	IN	CM	IN	CM	IN	CM	IN	CM	IN	CM		IN	CM	IN	CM	IN	CM	IN									
270 LX	3	C	520	1144	3	225	495	S	7.5	10	55	120	19	95	209	106	2.70	64	1.62	32	81	50	110	17	43	97	2.45	30	76	3	3.5	0.25	6'6"	2.00	3'3"	100	1'1"	35