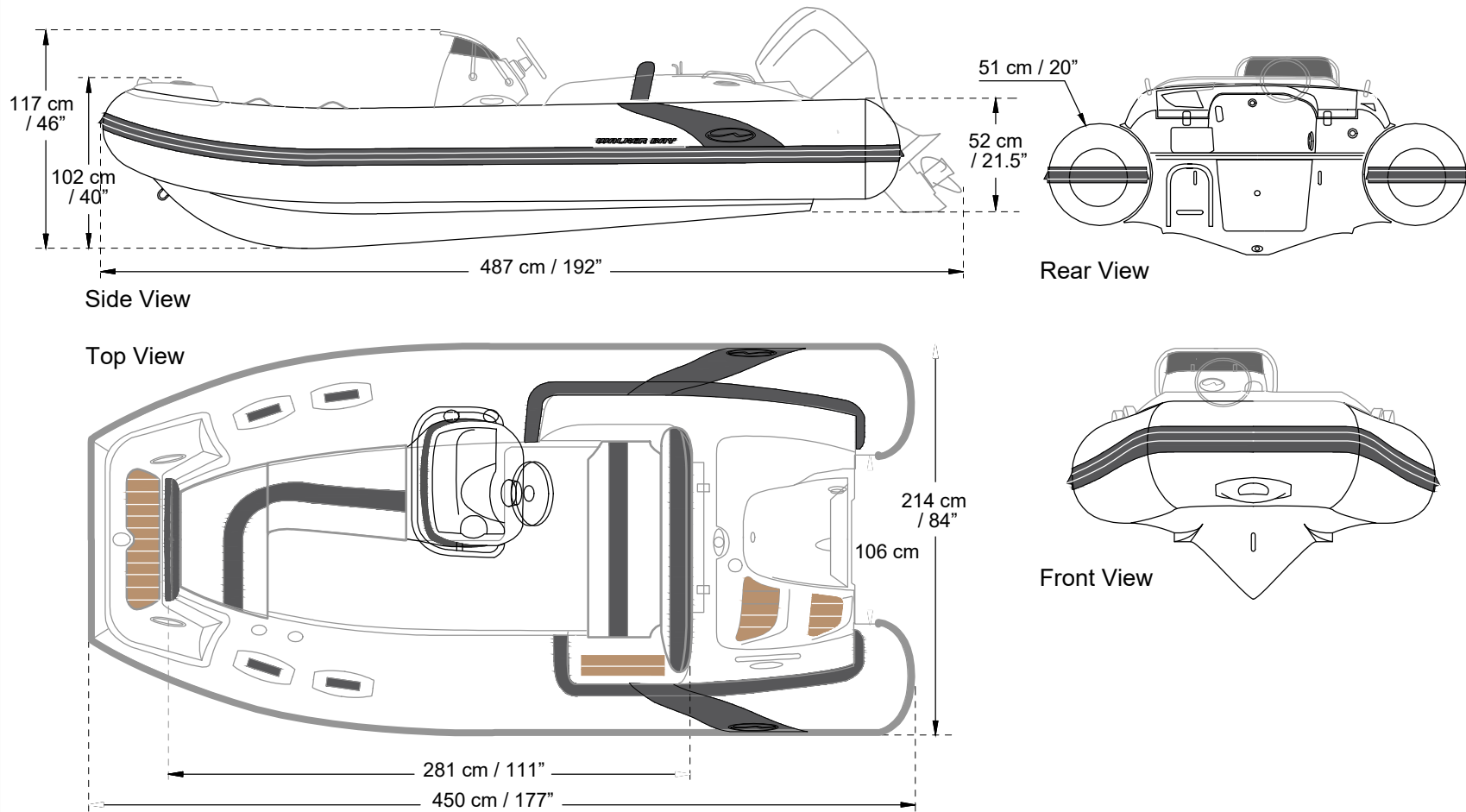


# Generation 450

# SPECIFICATIONS & MAXIMUM CAPACITIES



SPECIFICATIONS AND MAXIMUM CAPACITIES (Subject to change without notice. Tolerances: Dimensions +/- 3% Weight +/- 5%)

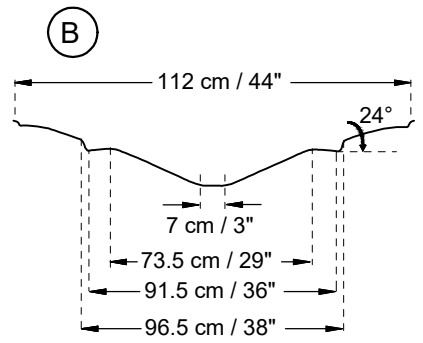
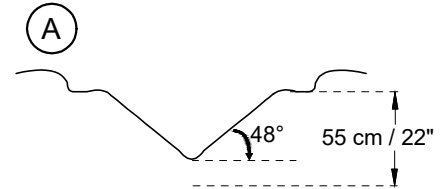
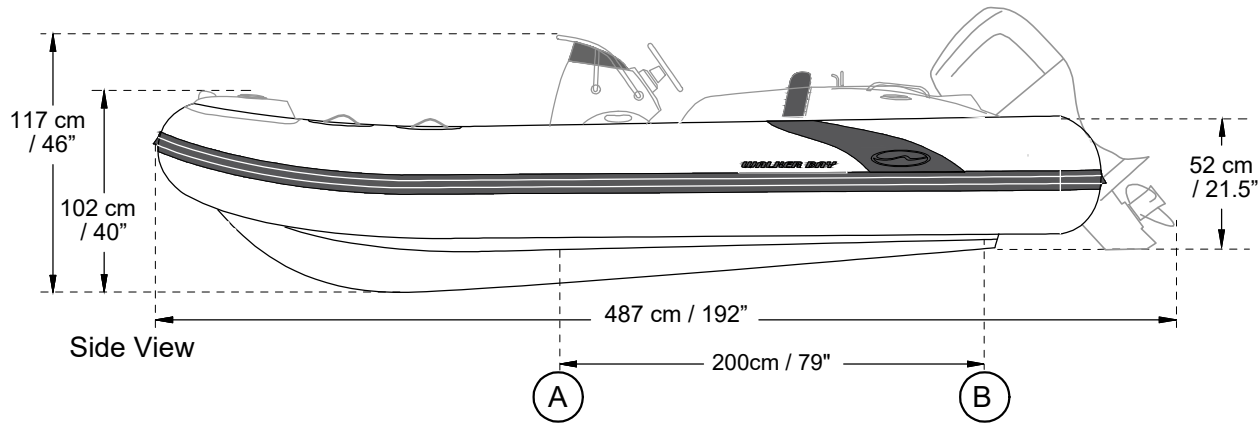
MODEL	ISO 6185 PART	ISO 6185	Icon: Person + Gear		#	Icon: Person		L	Icon: Key		Icon: Inflatable		Wet Weight (Approximate)		Icon: Air Chambers									
			KG	LB		KG	LB		KG	LB	KG	LB	PSI	BAR										
			Maximum			Recommended			Maximum Speed		KG	LB	KG	LB	PSI	BAR								
GENERATION 340	3	C	866	1910	8	600	1200	L	175	386	56	75	45	60	30	34	55	287	633	523/491	1150/1080	5	3.5	0.24

# Generation 450

## LIFTING POINTS & CHOCKS



**WALKER BAY**

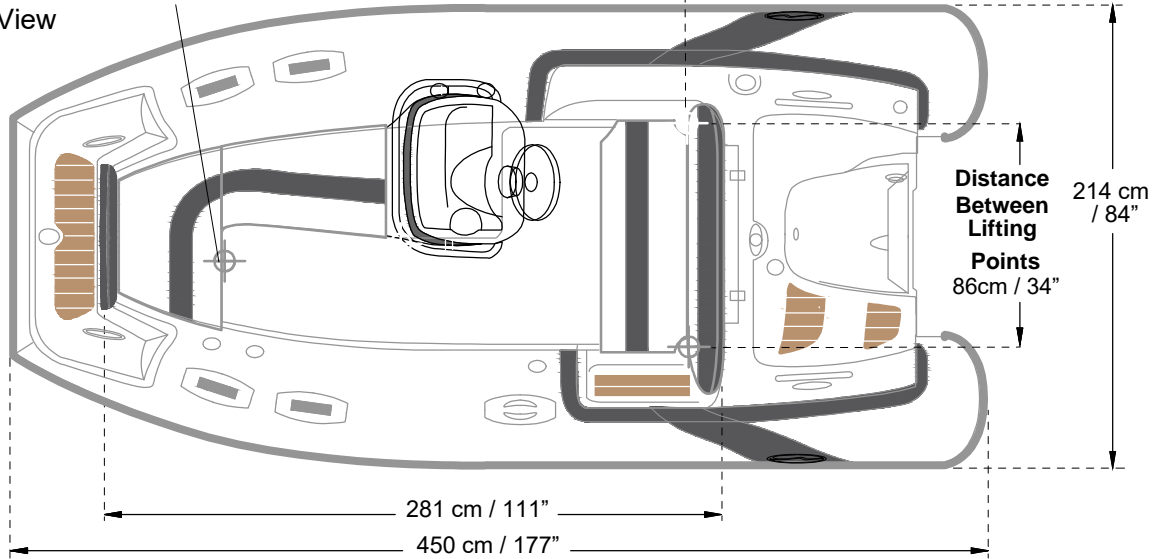


Area Reinforced for Additional Lifting Point\*.  
 \*On 2017 Models only.  
 Requires installation of Lifting Eye by Dealer.

### Distance Between Lifting Points

97cm / 38"

### Top View



Information subject to change without notice. Tolerances +/- 3%