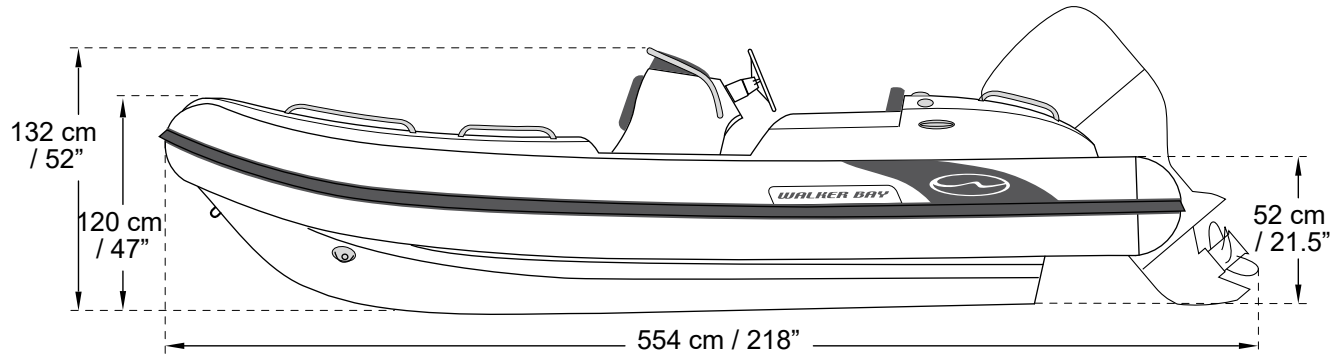


Generation 525

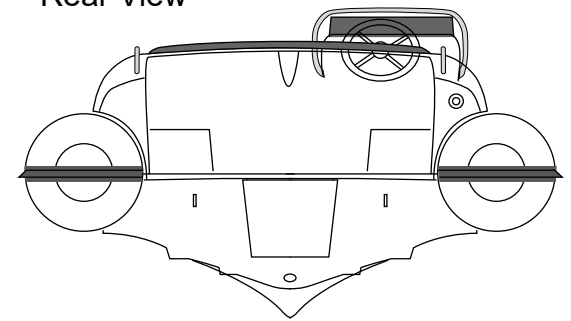
LIFTING POINTS & CHOCKS



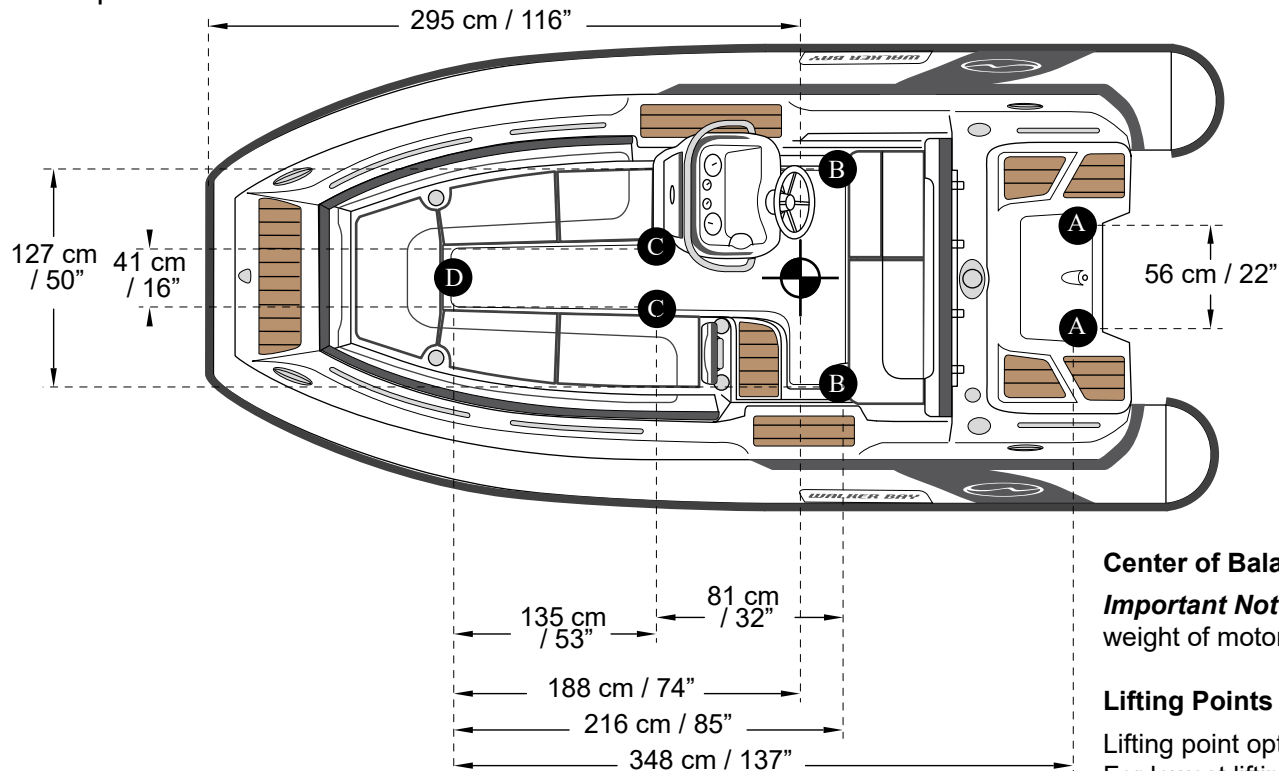
Side View



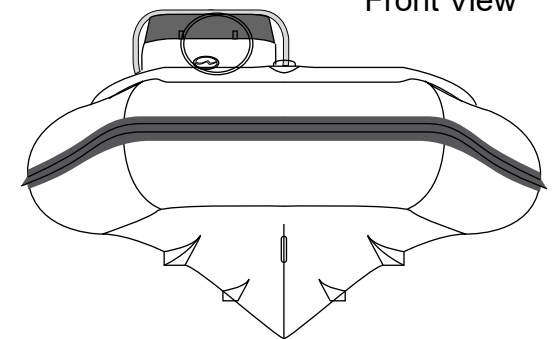
Rear View



Top View



Front View



Center of Balance



Important Note: Center is approximate and will vary depending on weight of motor, quantity of fuel, water, accessories and gear in boat.

Lifting Points **A B C D**

Lifting point options: A+D, A+C or B+C
 For lowest lifting point use lifting points: B+C
 Do not attempt to lift with C+D or B+D.

Information subject to change without notice. Tolerances +/- 3%

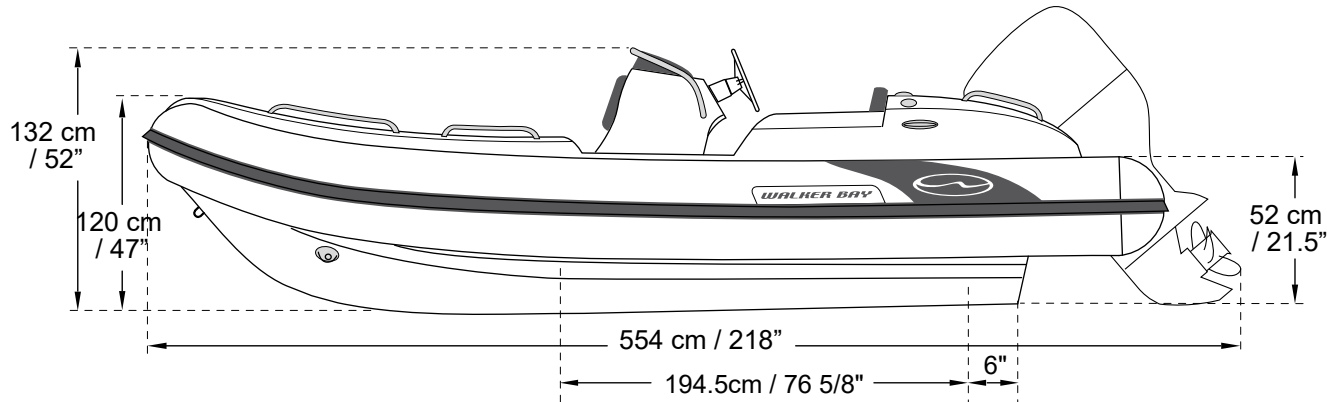
Generation 525

LIFTING POINTS & CHOCKS

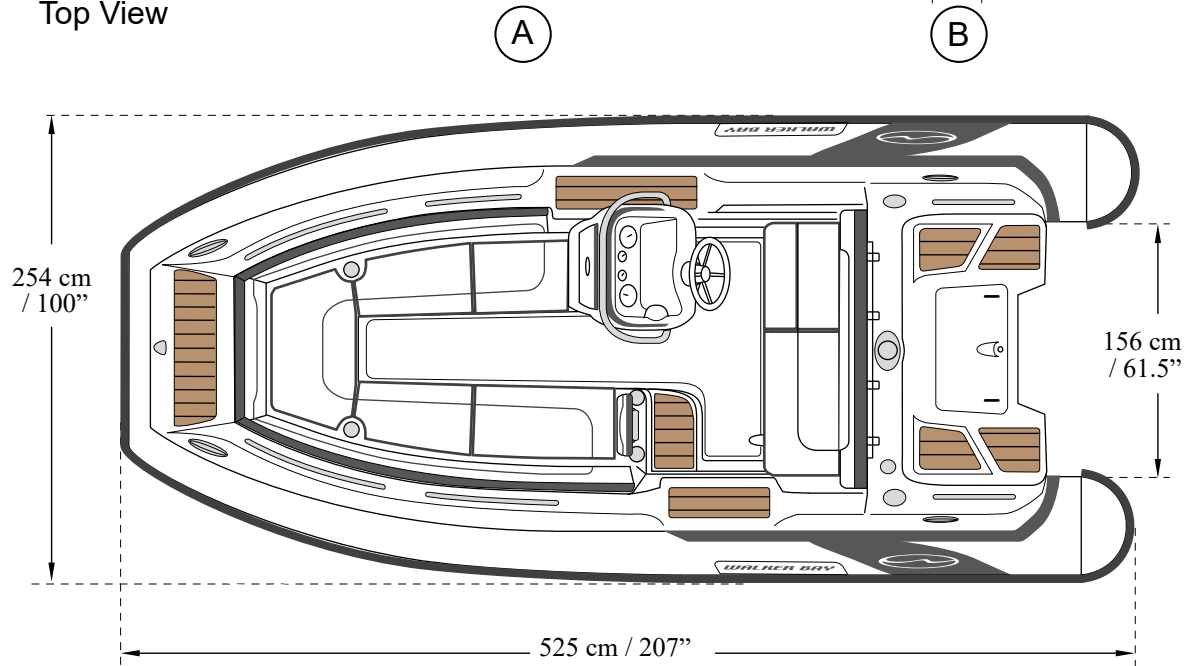


WALKER BAY

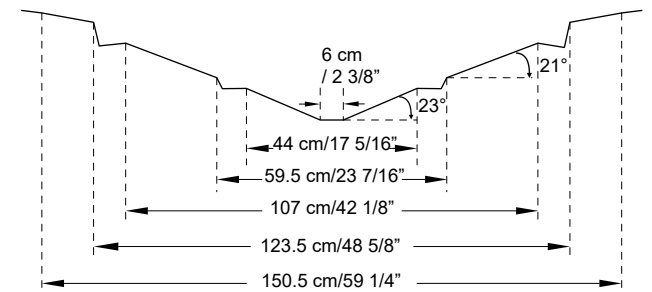
Side View



Top View



(A)



(B)

