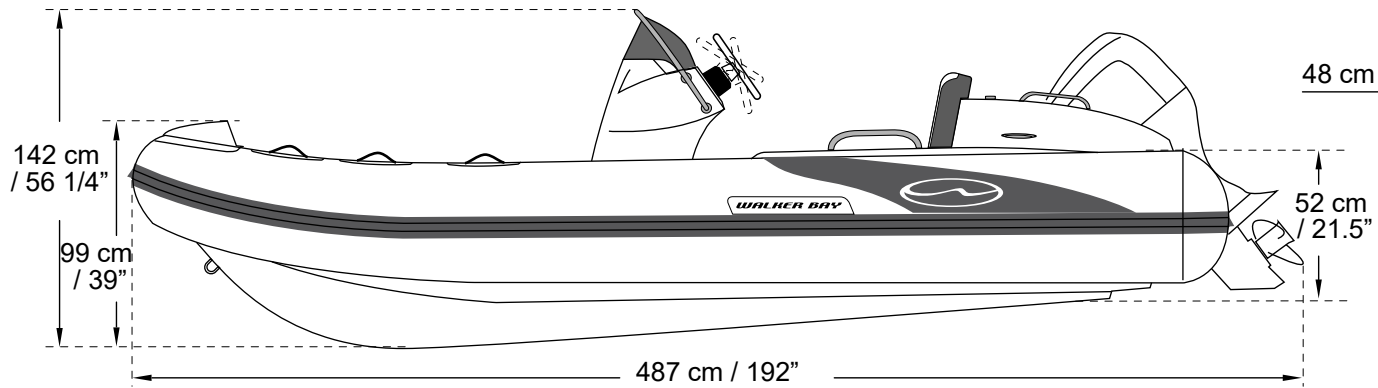


# Venture 14

# SPECIFICATIONS & MAXIMUM CAPACITIES



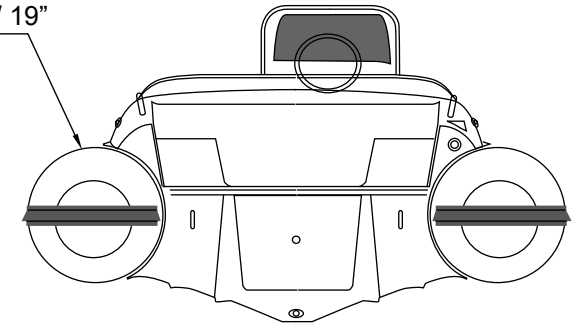
Side View



48 cm / 19"

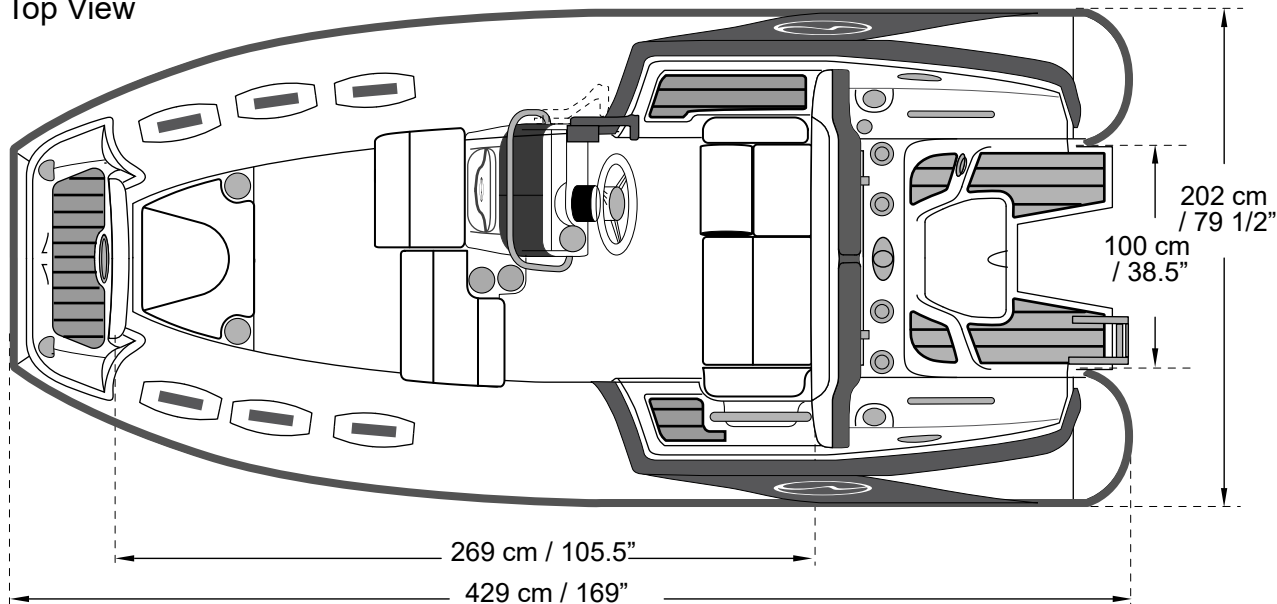
52 cm / 21.5"

487 cm / 192"



Rear View

Top View

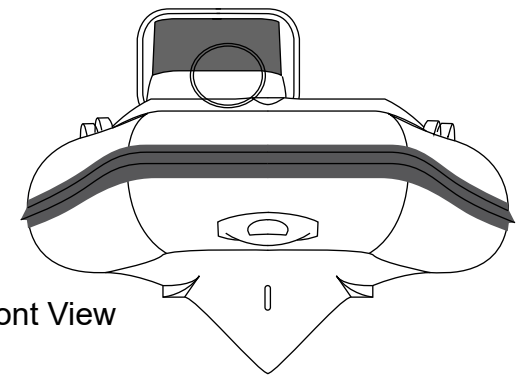


202 cm / 79 1/2"

100 cm / 38.5"

269 cm / 105.5"

429 cm / 169"



Front View

SPECIFICATIONS AND MAXIMUM CAPACITIES (Subject to change without notice. Tolerances: Dimensions +/- 3% Weight +/- 5%)

MODEL	ISO 6185 PART	ISO 6185																	Wet Weight (Approximate) 70HP (52 kW) + Fuel		AIR CHAMBERS			
			KG	LB	#	KG	LB	Length	KG	LB	Maximum		Recommended		Maximum Speed		KG	LB	KG	LB		PSI	BAR	
												KW	HP	KW	HP	KT	MPH	Km/h						
Venture 14	3	C	919	2022	8	600	1322	L	119	262	52	70	45	60	38	44	70	298	657	490	1080	5	3.5	0.24