

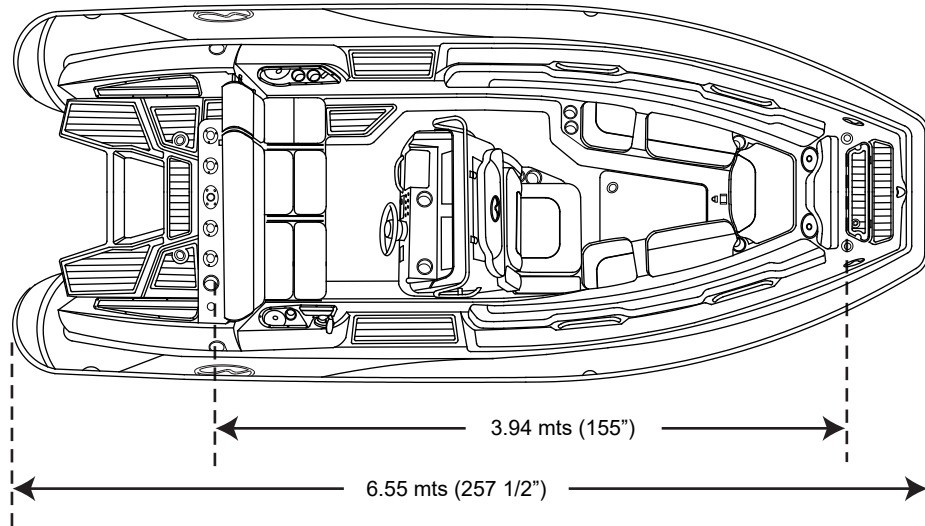
WALKER BAY 22

SPECIFICATIONS & MAXIMUM CAPACITIES

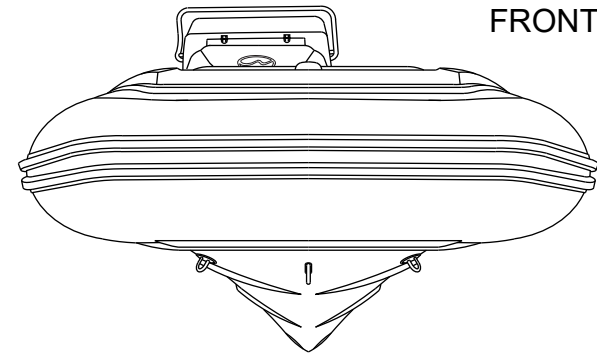


WALKER BAY

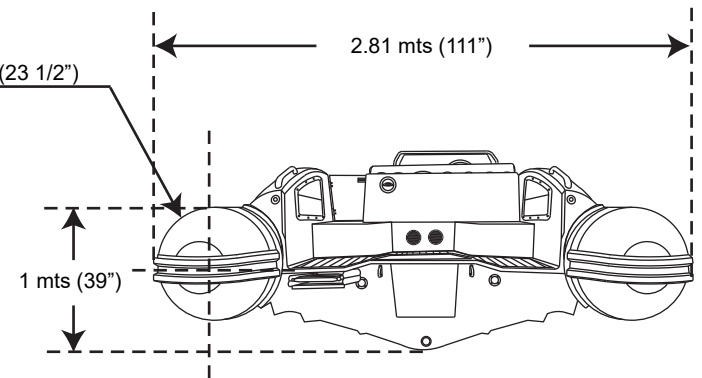
TOP VIEW



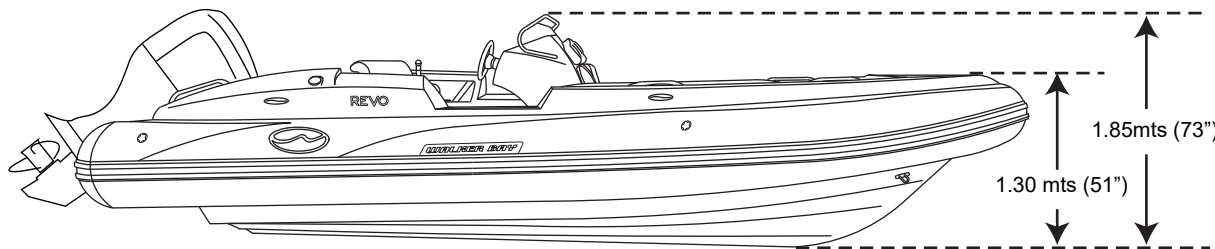
FRONT VIEW



REAR VIEW



SIDE VIEW



Ø.6 mts (23 1/2")

2.81 mts (111")

1.85 mts (73")

1.30 mts (51")

1 mts (39")

SPECIFICATIONS AND MAXIMUM CAPACITIES (Subject to change without notice. Tolerances: Dimensions +/- 3% Weight +/- 5%)

MODEL	ISO 6185 PART	ISO 6185			#			Length											Wet Weight (Approximate) 225HP + Fuel		AIR CHAMBERS			
			KG	LB		KG	LB		KG	LB	Maximum		Recommended		Maximum Speed		KG	LB	KG	LB		PSI	BAR	
											KW	HP	KW	HP	KT	MPH	Km/h							
WALKER BAY 22	3	C	1610	3550	12	900	1980	L	330	728	168	225	149	200	43	50	80	1069	2357	1362	3002	5	3.5	0.24