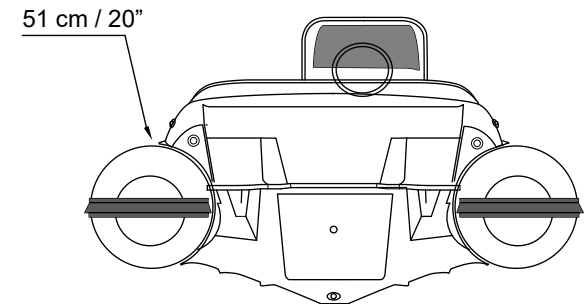
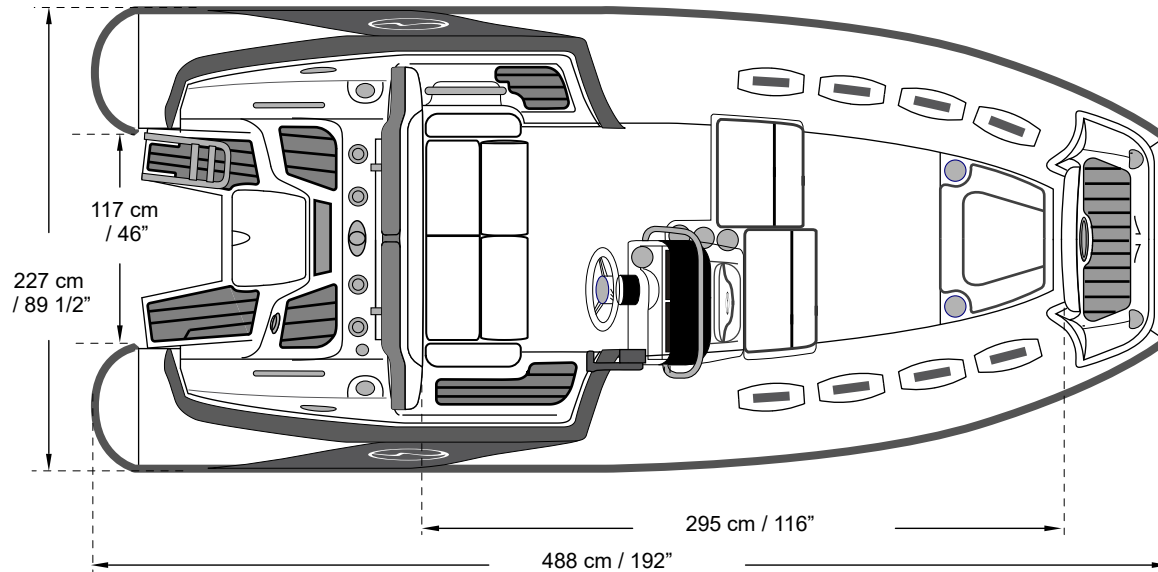
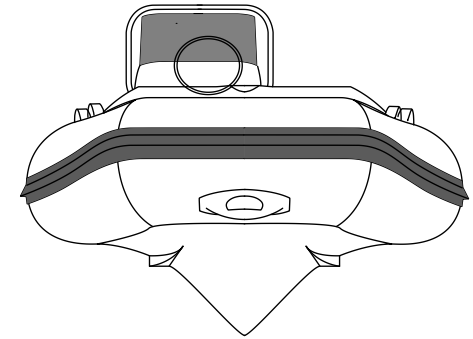
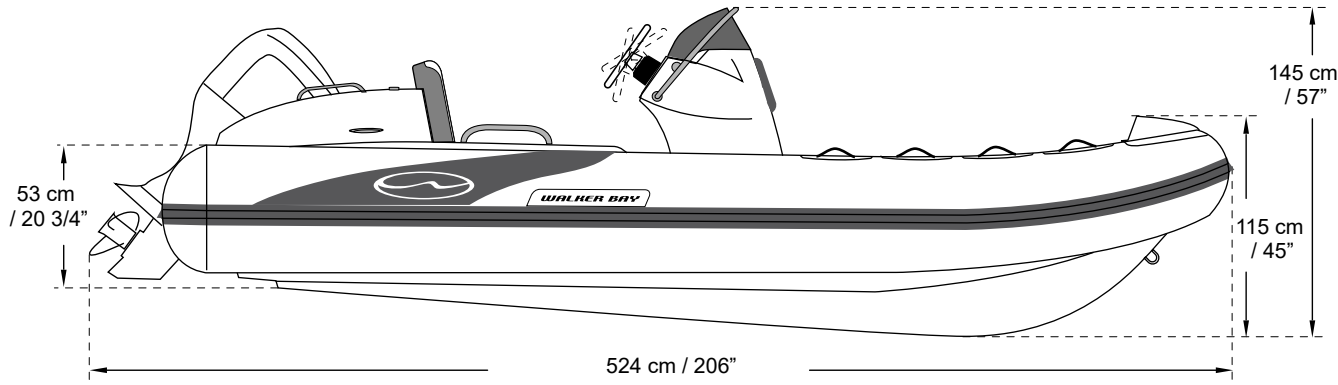


Venture 16

SPECIFICATIONS & MAXIMUM CAPACITIES



WALKER BAY



SPECIFICATIONS AND MAXIMUM CAPACITIES (Subject to change without notice. Tolerances: Dimensions +/- 3% Weight +/- 5%)

MODEL	ISO 6185 PART	ISO 6185			#			Length											Wet Weight (Approximate) 100HP + Fuel		AIR CHAMBERS			
			KG	LB		KG	LB		KG	LB	KG	LB	KG	LB	KG	LB	PSI	BAR						
			Maximum	Recommended		Maximum Speed			KG	LB	KG	LB	PSI	BAR										
Venture 16	3	C	1208	2664	10	750	1650	L	163	359	75	100	56	75	32	37	59	338	744	685	1507	5	3.5	0.24