

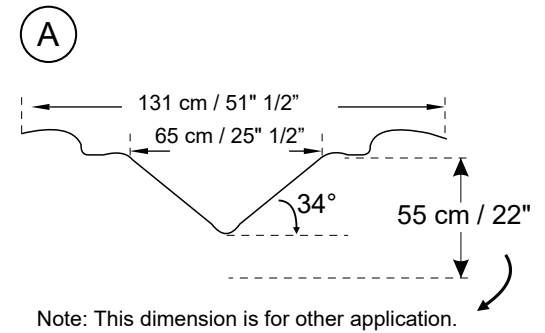
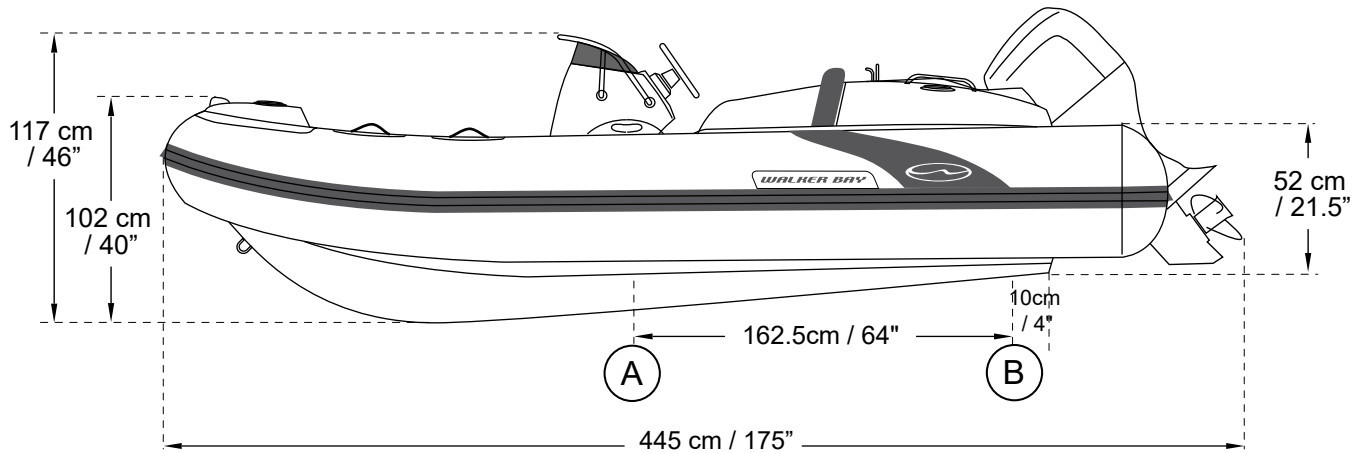
# Generation 400

# LIFTING POINTS & CHOCKS



WALKER BAY

Side View



Area Reinforced for Additional Lifting Point\*.  
\*On 2017 Models only.  
Requires installation of Lifting Eye by Dealer.

Distance Between Lifting Points

Top View

