

# UNAIDED RE-BOARDING REVO 21

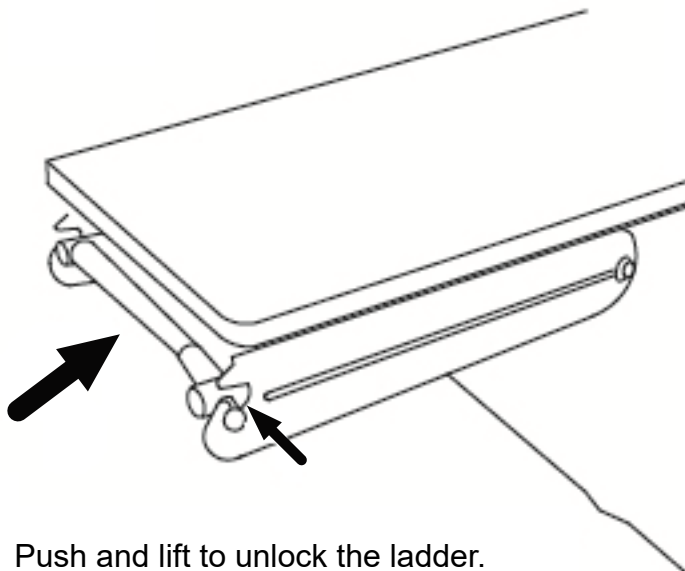


## **⚠ WARNING**

Rotating propeller may cause serious injury or death. Shut off engine when near persons in the water.

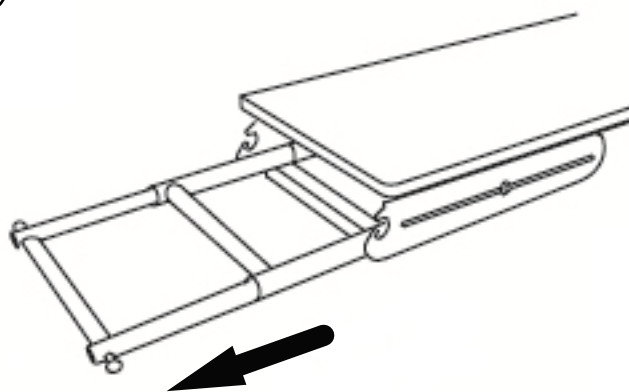
In the event that a passenger falls overboard, use the ladder located on the transom as the means of re-boarding. The boarding procedure is described below:

①



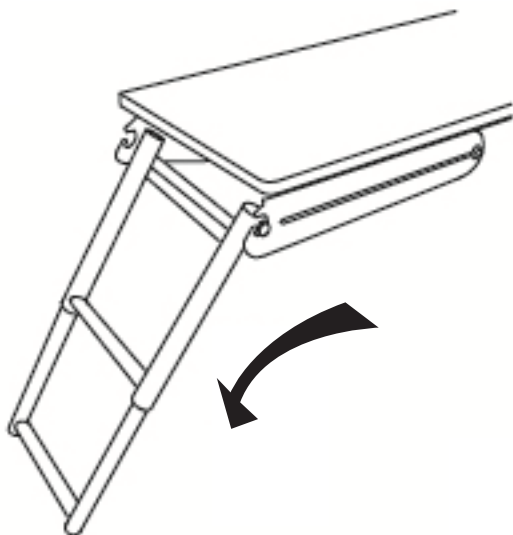
Push and lift to unlock the ladder.

②



Pull the step so that the ladder extends fully.

③



Place the ladder in position so that it is ready to use.