

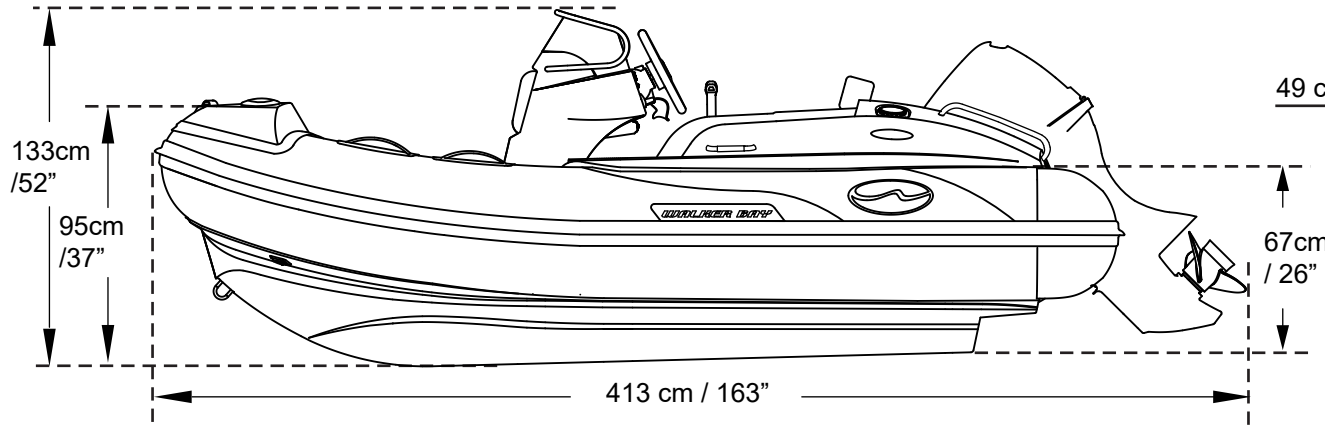
# GENERATION 12

# SPECIFICATIONS & MAXIMUM CAPACITIES

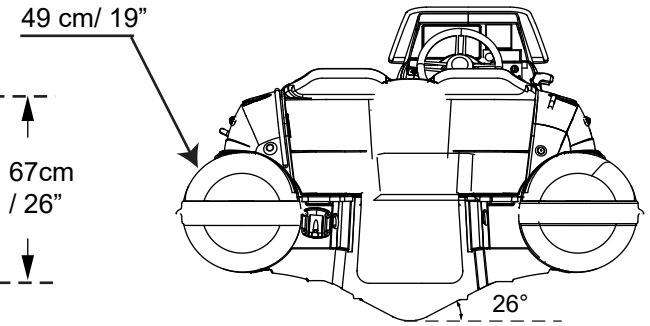


WALKER BAY

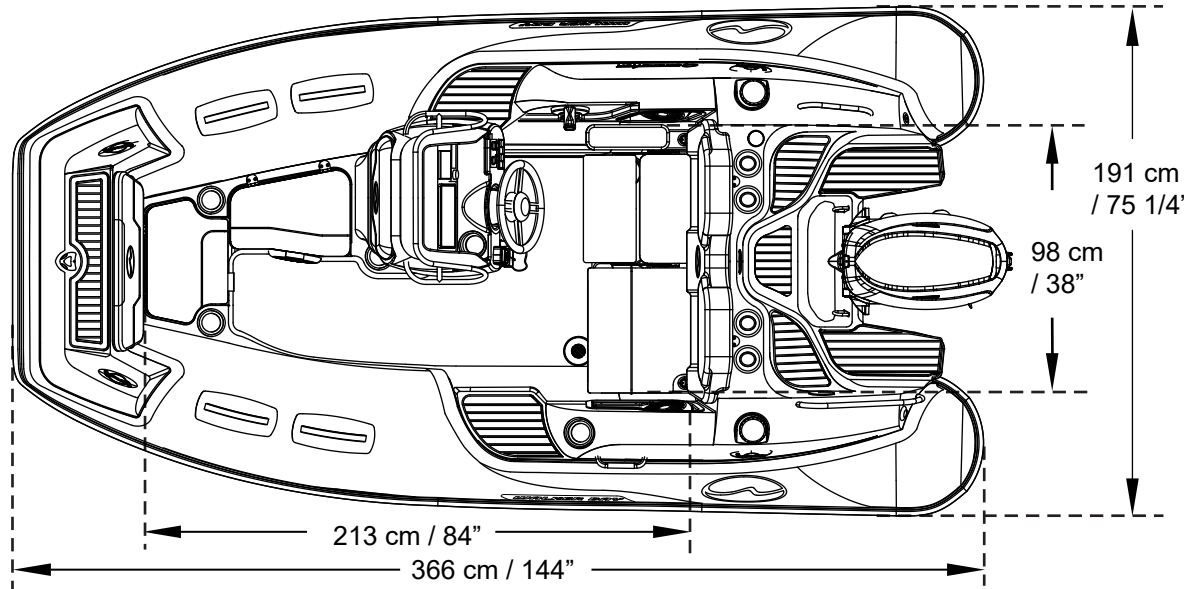
Side View



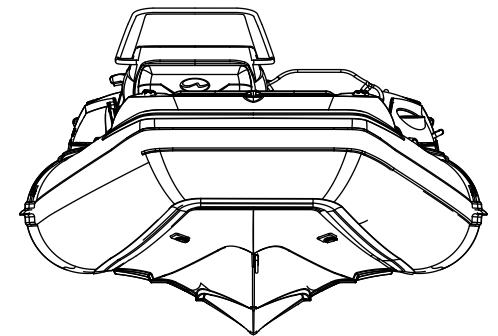
Rear View



Top View



Front View



\* Basic Wet Weight Includes:  
 • Tohatsu 50 HP • Battery  
 • Full fuel tank 11 gallons • Rigging

SPECIFICATIONS & MAXIMUM CAPACITIES ( Subject to change without notice. Tolerances: Dimensions +/- 1% Weight +/- 3%)

MODEL	ISO 6185 PART	ISO 6185			#			Length									* Basic Wet Weight (Approximate) 50 HP + Fuel		AIR CHAMBERS					
			KG	LB		KG	LB		KG	LB	KG	LB	KG	LB	KG	LB	PSI	BAR						
			Maximum	Recommended		Maximum Speed			KG	LB	KG	LB	PSI	BAR										
GENERATION 12	3	C	810	1560	6	450	990	L	95	209	37	50	30	40	30	35	56	204	405	340	750	3	3.5	0.24