

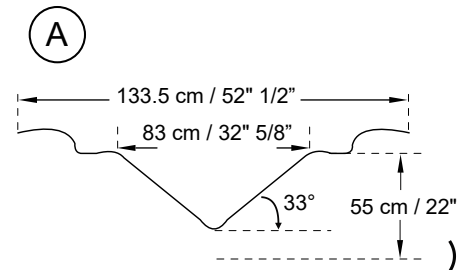
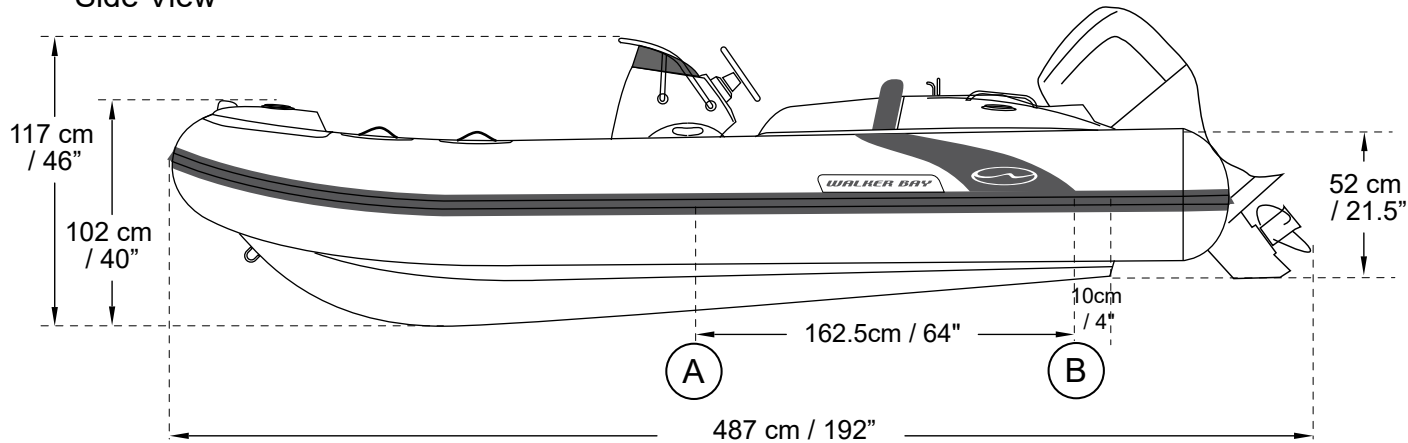
# Generation 450

# LIFTING POINTS & CHOCKS



WALKER BAY

Side View



Note: This dimension is for other application.

Area Reinforced for Additional Lifting Point\*.  
\*On 2017 Models only.  
Requires installation of Lifting Eye by Dealer.

Distance Between Lifting Points

Top View

