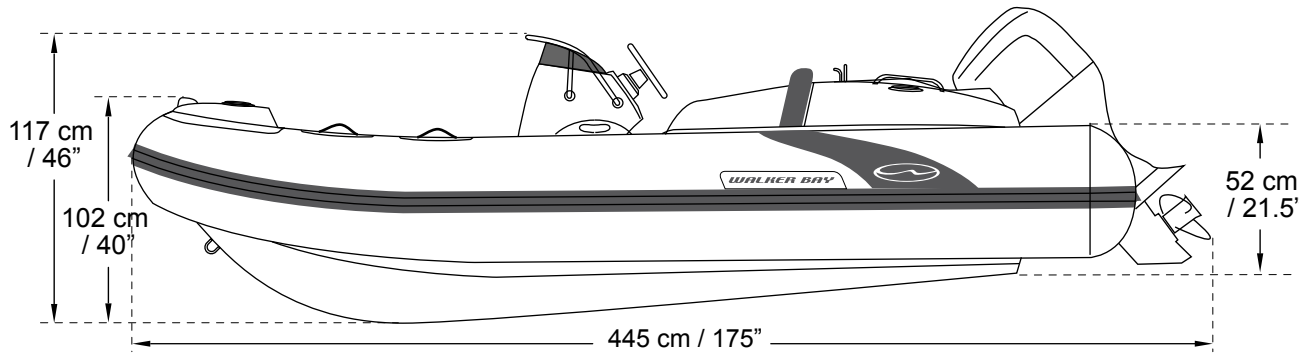


Generation 400

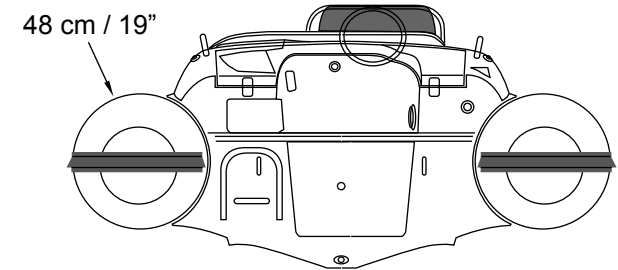
SPECIFICATIONS & MAXIMUM CAPACITIES



WALKER BAY

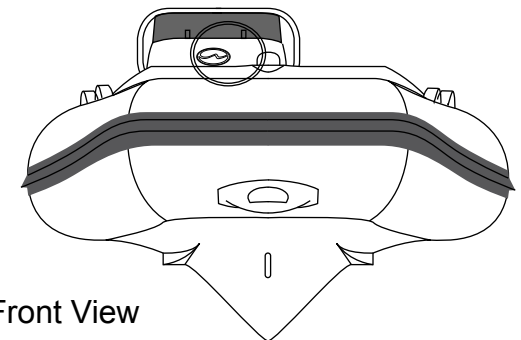
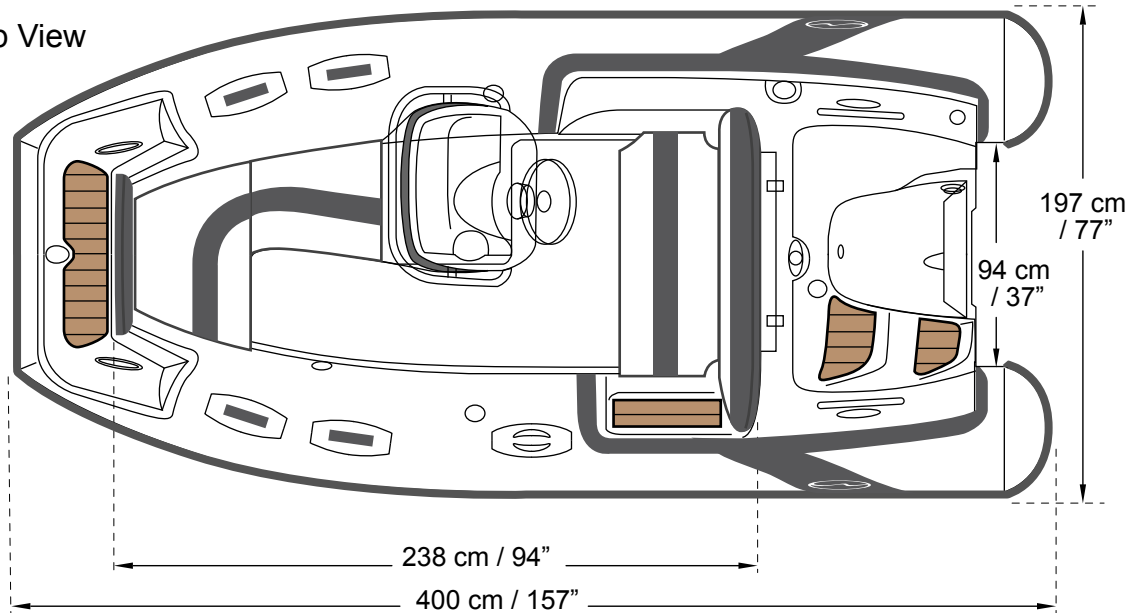


Side View



Rear View

Top View



Front View

SPECIFICATIONS AND MAXIMUM CAPACITIES (Subject to change without notice. Tolerances: Dimensions +/- 3% Weight +/- 5%)

MODEL	ISO 6185 PART	ISO 6185																Wet Weight (Approximate) 50HP (38kW) + Fuel		AIR CHAMBERS				
			KG	LB	#	KG	LB	Length	KG	LB	Maximum		Recommended		Maximum Speed			KG	LB		KG	LB	PSI	BAR
												KW	HP	KW	HP	KT	MPH	Km/h						
Generation 400	3	C	753	1660	7	525	1072	L	132	335	38	50	38	50	30	34	55	259	571	409	900	3	3.5	0.24