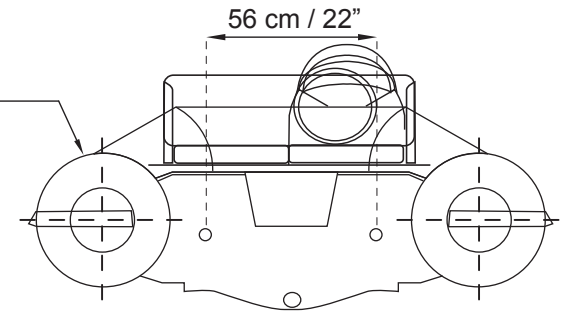
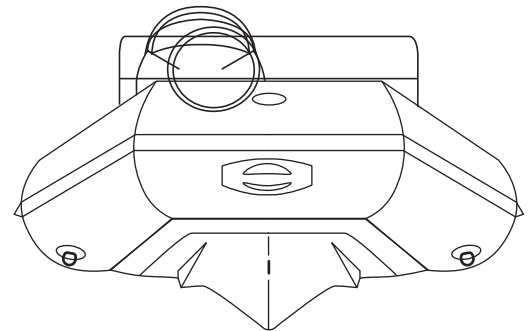
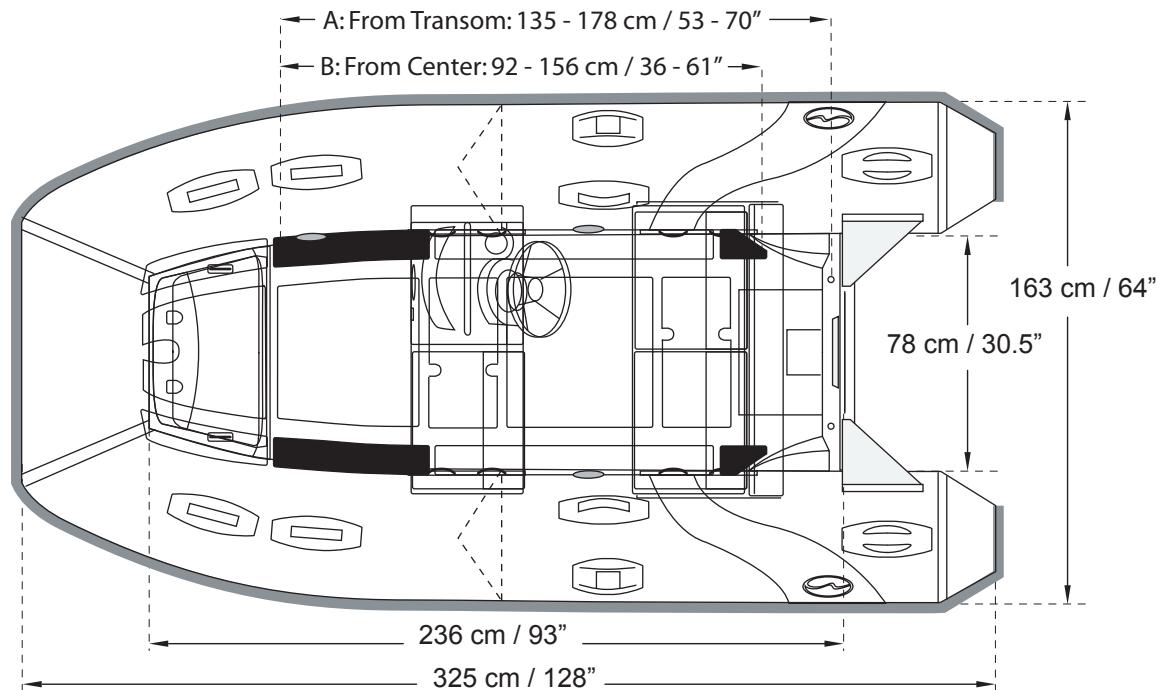


**Distance Between Transom Lifting Eyes**



**Reinforced Lifting Point Range**



**Important Note**

Reinforced Lifting Points  provide a range between lifting points so they can be aligned with davit lifting arms. They can also be used to center the tender with stern of the mother vessel for safe, ideal davit storage.