

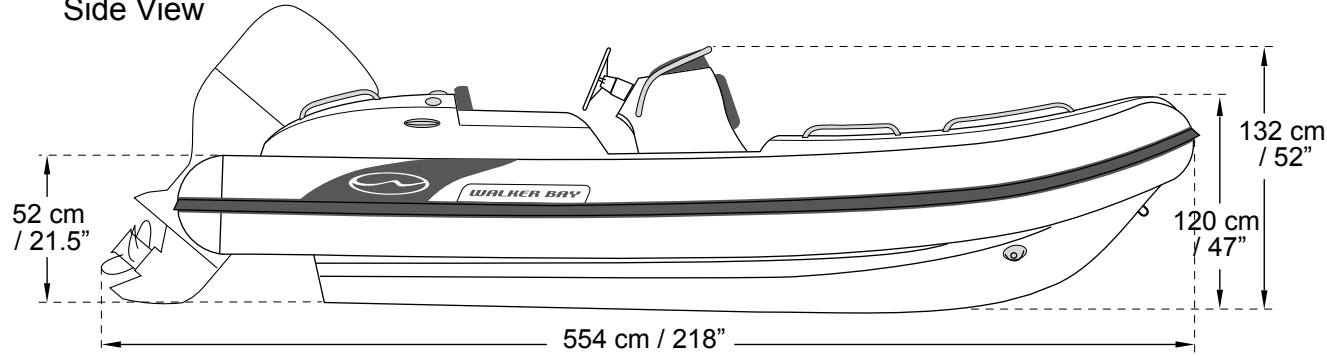
Generation 525

SPECIFICATIONS & MAXIMUM CAPACITIES

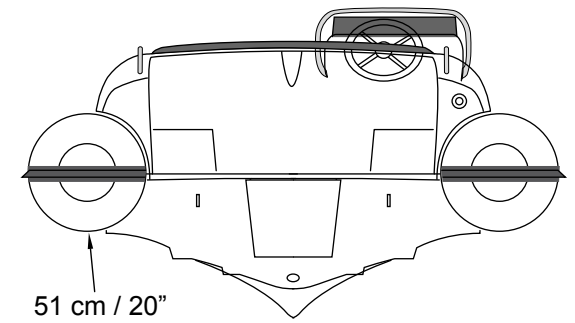


WALKER BAY

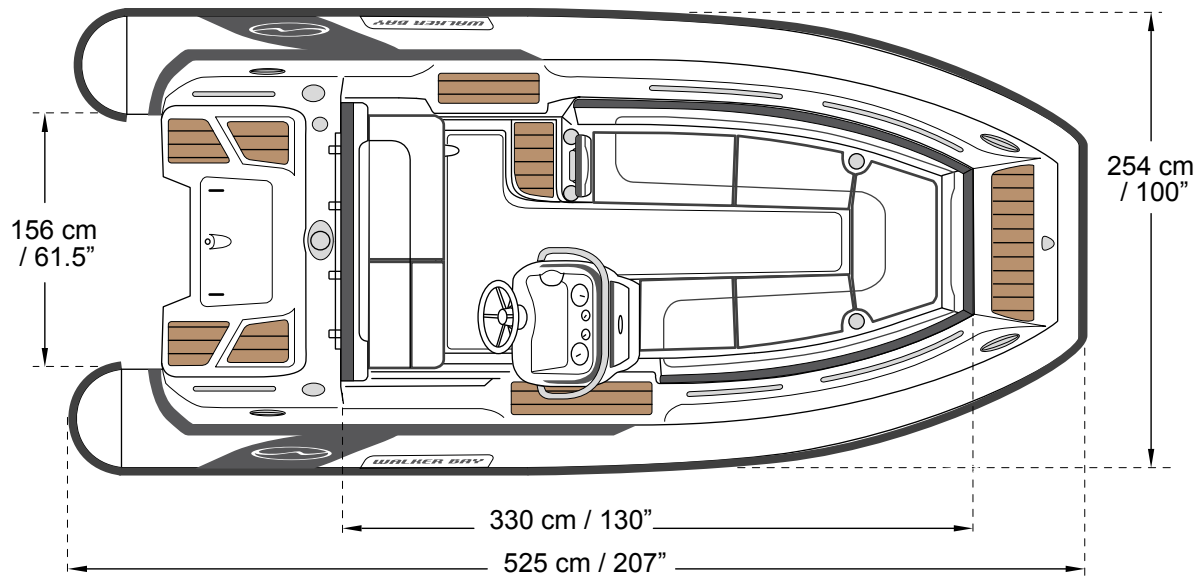
Side View



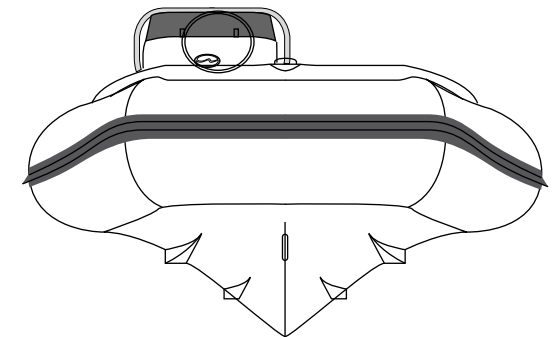
Rear View



Top View



Front View



SPECIFICATIONS AND MAXIMUM CAPACITIES (Subject to change without notice. Tolerances: Dimensions +/- 3% Weight +/- 5%).

MODEL	ISO 6185 PART	ISO 6185			#												Wet Weight (Approximate) 115HP (86kW) + Fuel		AIR CHAMBERS						
			KG	LB		KG	LB	Length	KG	LB	Maximum		Recommended			Maximum Speed				KG	LB	KG	LB	PSI	BAR
												KW	HP	KW	HP	KT	MPH	Km/h							
Generation 525	4	C	1250	2750	10	750	1650	L	227	500	86	115	68	90	40	44	70	527	1160	977	2150	5	3.5	0.24	