

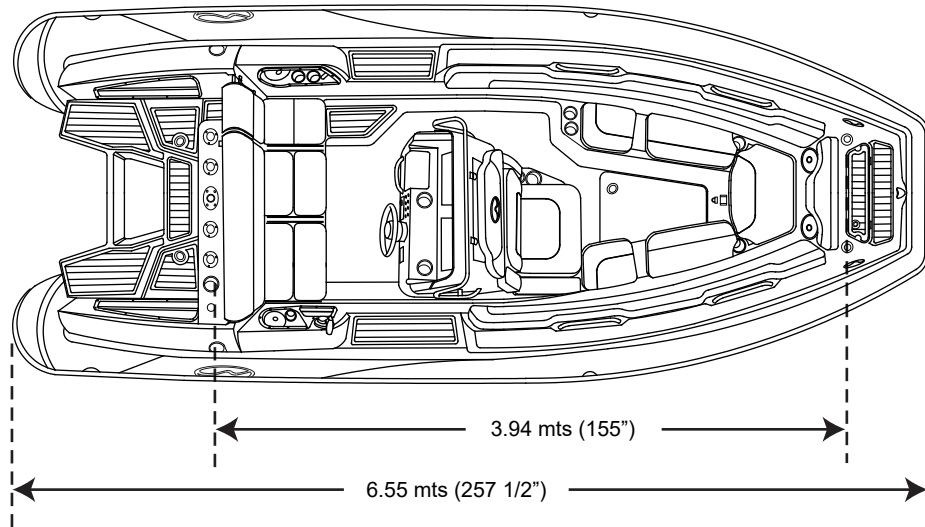
REVO 21

SPECIFICATIONS & MAXIMUM CAPACITIES

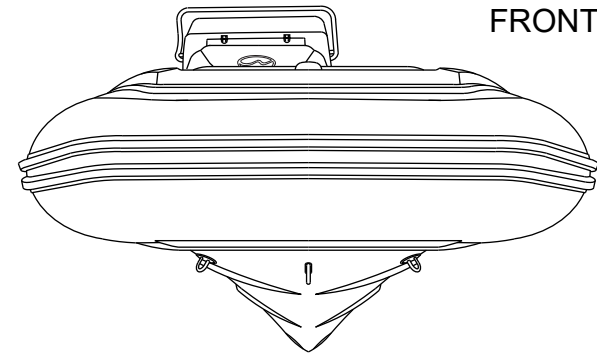


WALKER BAY

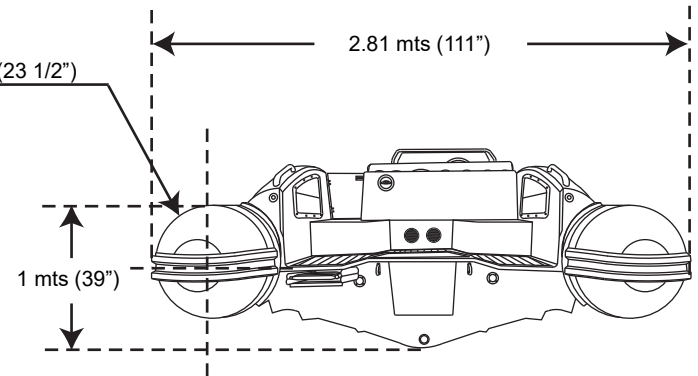
TOP VIEW



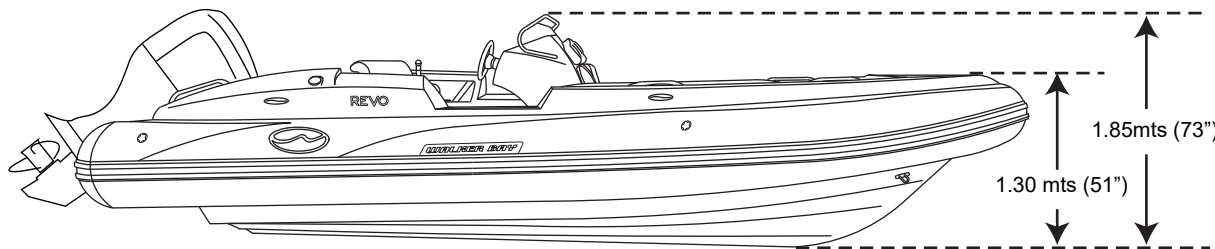
FRONT VIEW



REAR VIEW



SIDE VIEW



Ø.6 mts (23 1/2")

SPECIFICATIONS AND MAXIMUM CAPACITIES (Subject to change without notice. Tolerances: Dimensions +/- 3% Weight +/- 5%)

MODEL	ISO 6185 PART	ISO 6185			#			Length											Wet Weight (Approximate) 225HP + Fuel		AIR CHAMBERS			
			KG	LB		KG	LB		KG	LB	KG	LB	KG	LB	KG	LB	PSI	BAR						
			Maximum	Recommended		Maximum Speed			KT	MPH	Km/h	KW	HP	KW	HP	KW	LB	PSI	BAR					
REVO 21	3	C	1610	3550	12	900	1980	L												330	728	168	225	149