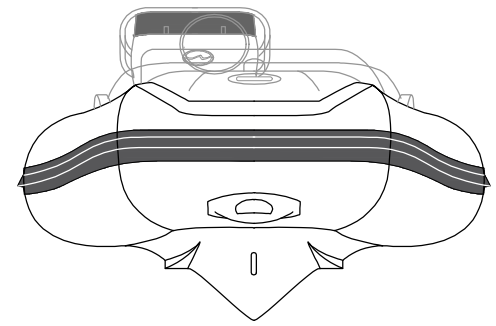
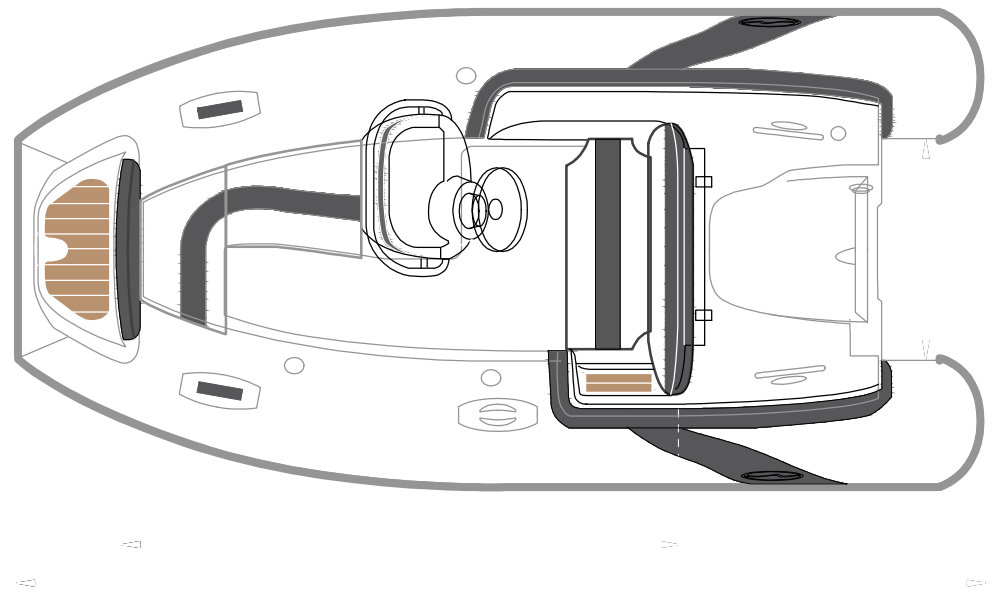
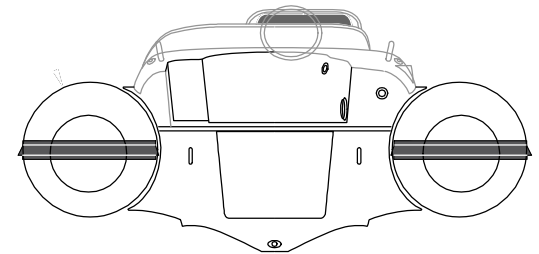
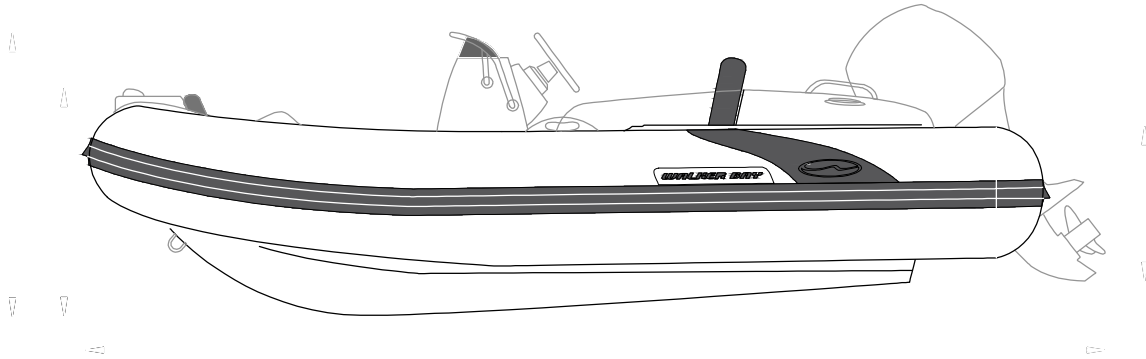


# Generation 360

## SPECIFICATIONS & MAXIMUM CAPACITIES



**WALKER BAY**



SPECIFICATIONS AND MAXIMUM CAPACITIES (Subject to change without notice. Tolerances: Dimensions +/- 3% Weight +/- 5%)

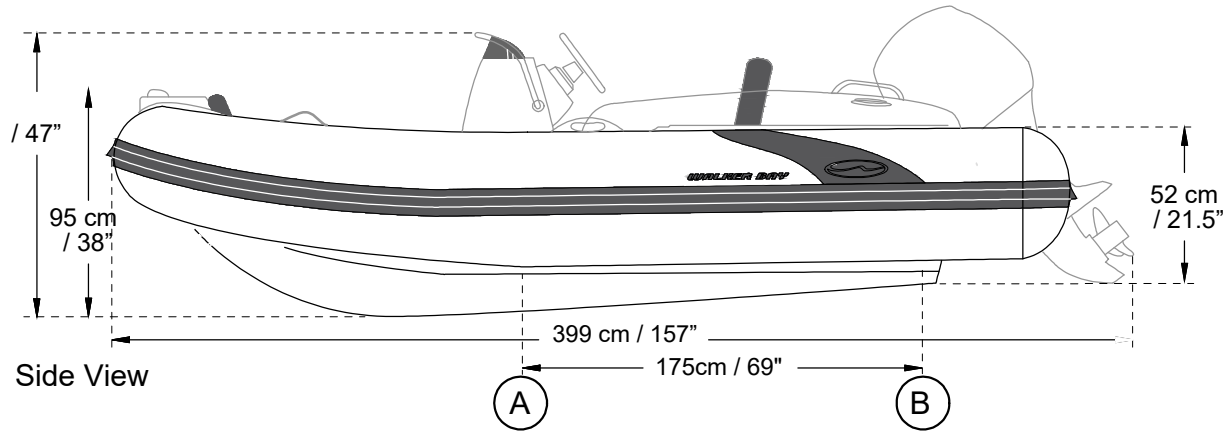
MODEL	ISO 6185 PART	ISO 6185			#													Wet Weight (Approximate) 40HP (30kW) + Fuel		AIR CHAMBERS				
			KG	LB		KG	LB	KG	LB	Maximum		Recommended		Maximum Speed		KG	LB	KG	LB		PSI	BAR		
										KW	HP	KW	HP	KT	MPH	Km/h								
GENERATION 340	3	C	599	1317	5	375	825	L	99	252	30	40	30	40	30	34	55	210	465	347	763	3	3.5	0.24

# Generation 360

## LIFTING POINTS & CHOCKS



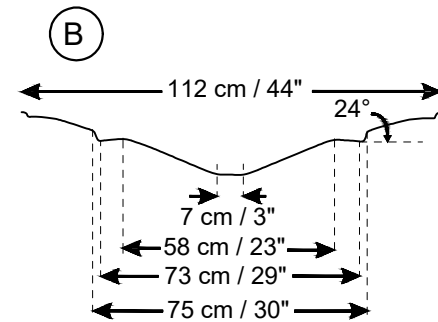
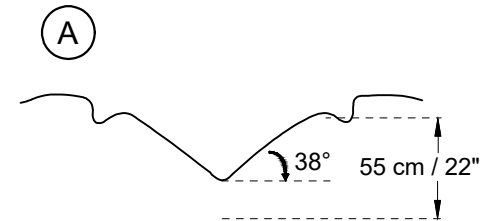
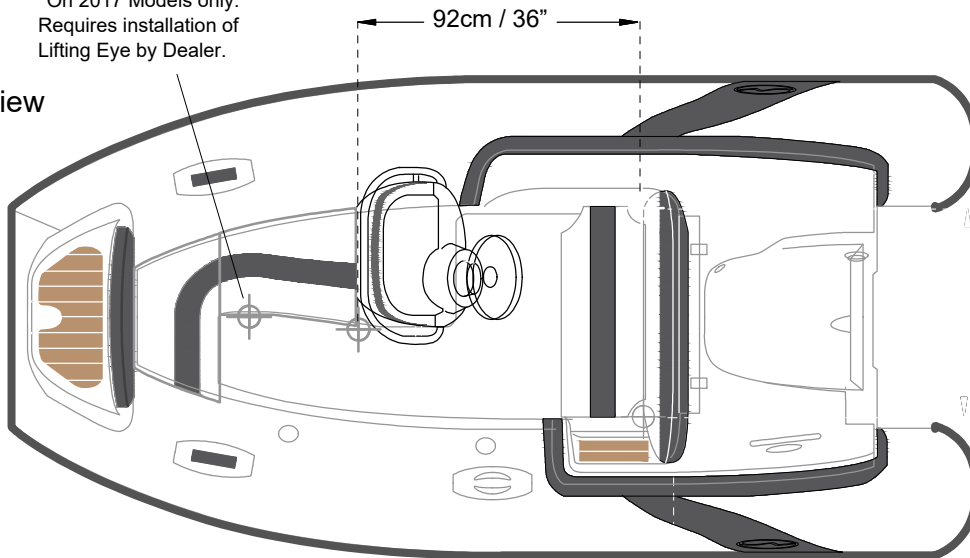
WALKER BAY



Area Reinforced for Additional Lifting Point\*.  
\*On 2017 Models only.  
Requires installation of Lifting Eye by Dealer.

### Distance Between Lifting Points

### Top View



Information subject to change without notice. Tolerances +/-3%