

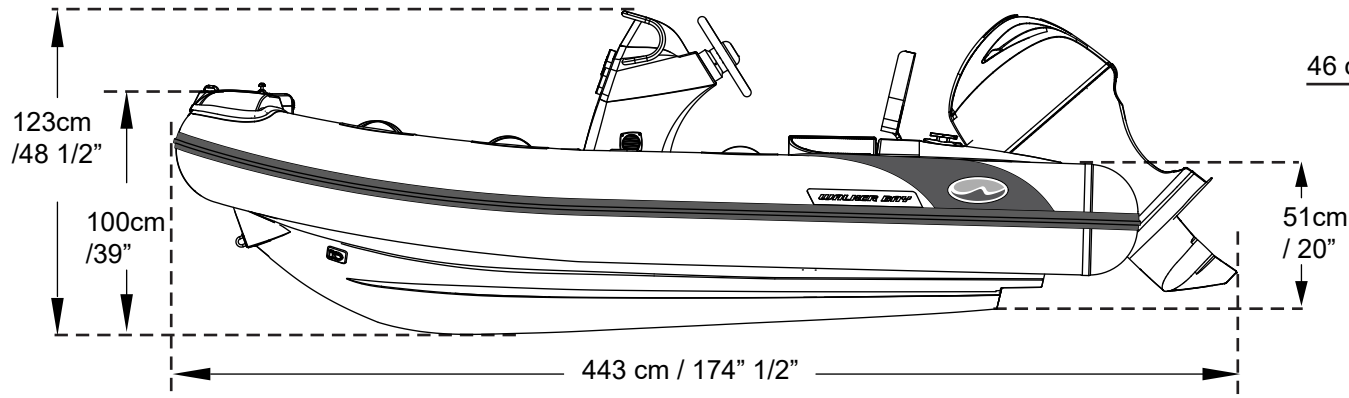
GENERATION 13 LTE

LIFTING POINTS & CHOCKS (1/2)

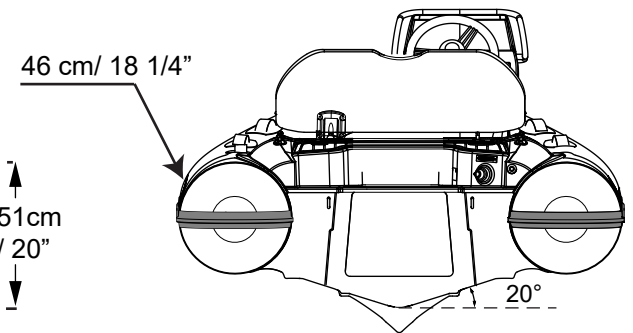


WALKER BAY

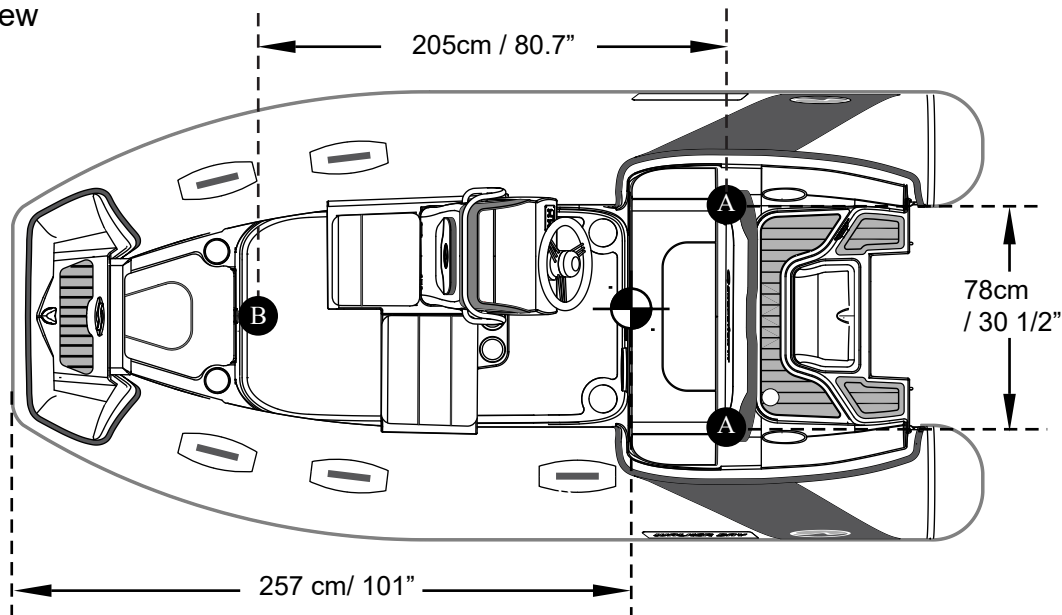
Side View



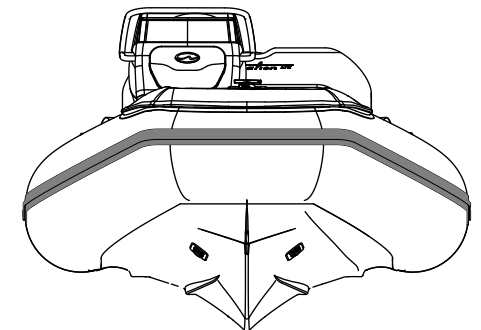
Rear View



Top View



Front View



Center of Balance



Important Note: Center is approximate and will vary depending on weight of motor, quantity of fuel, accessories and gear in boat.

Lifting Points **A** **B**

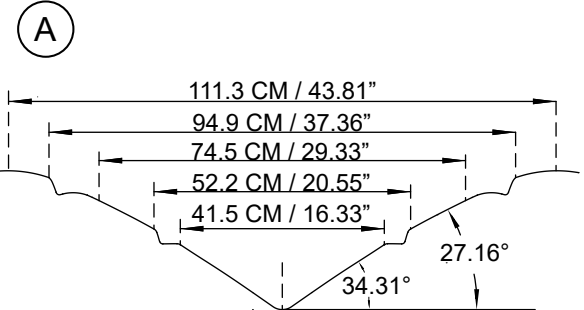
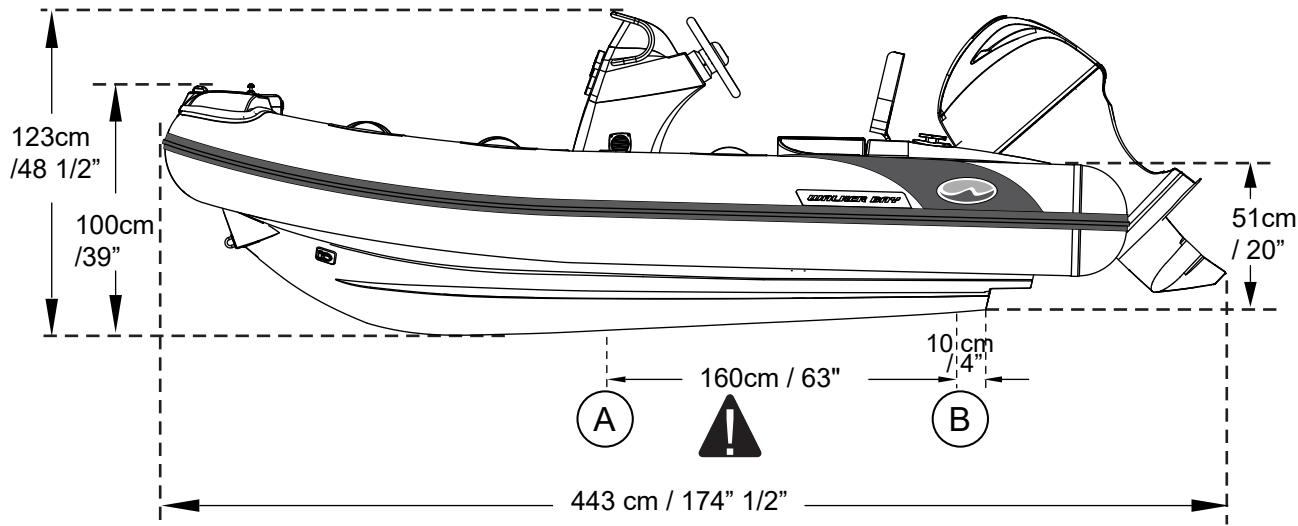
GENERATION 13 LTE

LIFTING POINTS & CHOCKS (2/2)



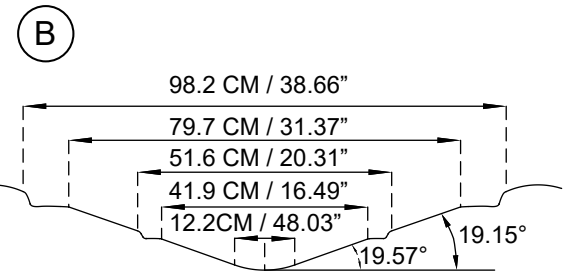
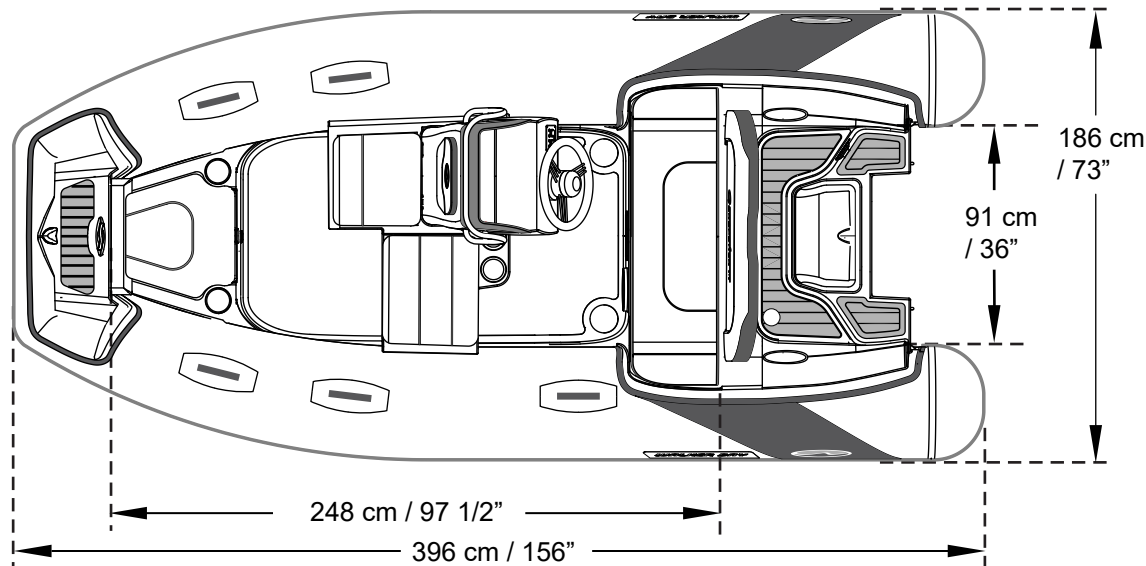
WALKER BAY

Side View



Top View

Position bunks here. →



Information subject to change without notice. Tolerances +/- 1%

CAUTION

Use caution when positioning and securing boat on chocks, cradles, bunks and when trailering. Avoid positioning the boat in a manner where point loading may occur on lifting strakes.

A bunk style trailer is recommended for towing. Bunks should be positioned on the outer side of the outer most lifting strakes.

Excessive point loading or failure to adequately support hull may damage the hull.

Damage resulting from not properly supporting the hull or motor is not covered under warranty.